

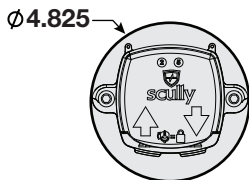
Scully Connect™ System with Limited Clearance Cap

The Scully Connect™ sensor is an advanced overfill prevention sensor that allows for quick, easy, and error-free installation of your overfill prevention system. It will save hours of installation time, prevent mis-wiring of the system, and allow for trouble-free connections.

Step 1- Choose Cables, Scully Connect single and double-ended cables come in various lengths according to the measurements taken between compartment openings and trailer length. The interactive Cable Selector Guide helps you calculate the individual cable lengths in inches and millimeters and shows corresponding cable part numbers needed.

Step 2- Select Scully Connect™ System Kit, Use the Connect Kit selection section to order 2 and 5-Wire sensor assembly kits including Scully Intellicheck®3R Overfill and Overfill/Retained monitors, ground bolts and T.I.M.® Modules.

Step 3- Choose Socket, Select the appropriate Scully Socket for your installation.



Ordering for
Hex Connect

Customer _____ Date _____

P.O. No. _____ Trailer No. _____

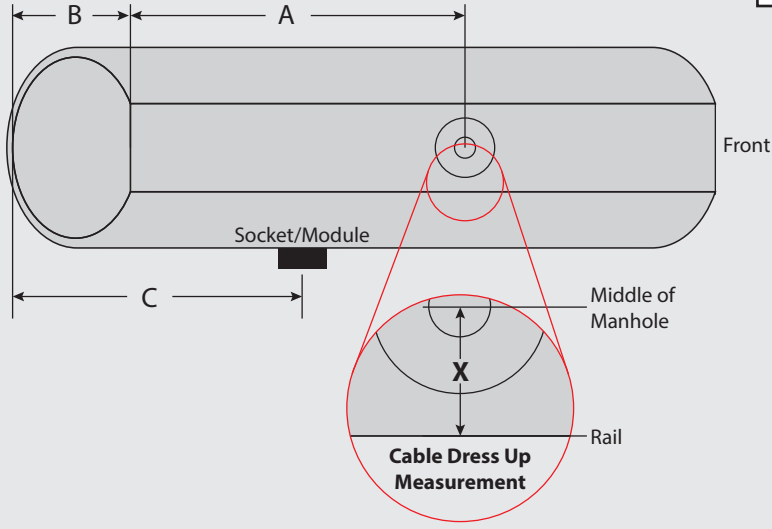




SCULLY CONNECT™ CABLE SELECTOR GUIDE

1 Compartment Trailer

2 Wire 5 Wire Qty. _____



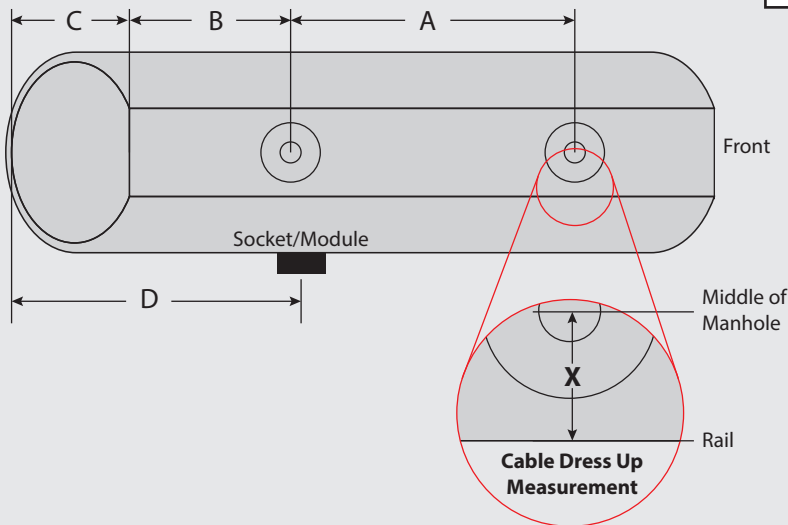
Customer Measurements		
	Inches	mm
A		
B		
C		
X		

For Scully Use

Measurement	Inches	Millimeters	Part Number (Black Cable)
A+B+C+X (SNG)			

2 Compartment Trailer

2 Wire 5 Wire Qty. _____



Customer Measurements		
	Inches	mm
A		
B		
C		
D		
X		

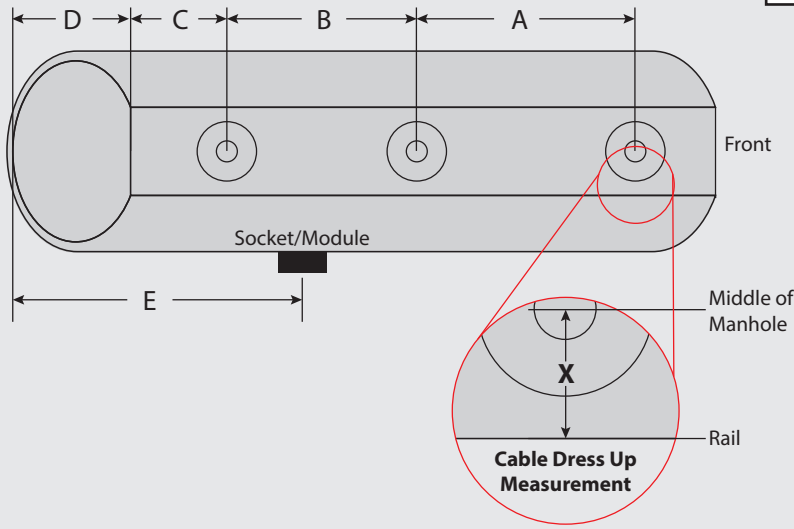
For Scully Use

Measurement	Inches	Millimeters	Part Number (Black Cable)
A+2X (DBL)			
B+C+D+X (SNG)			



3 Compartment Trailer

2 Wire 5 Wire Qty. _____



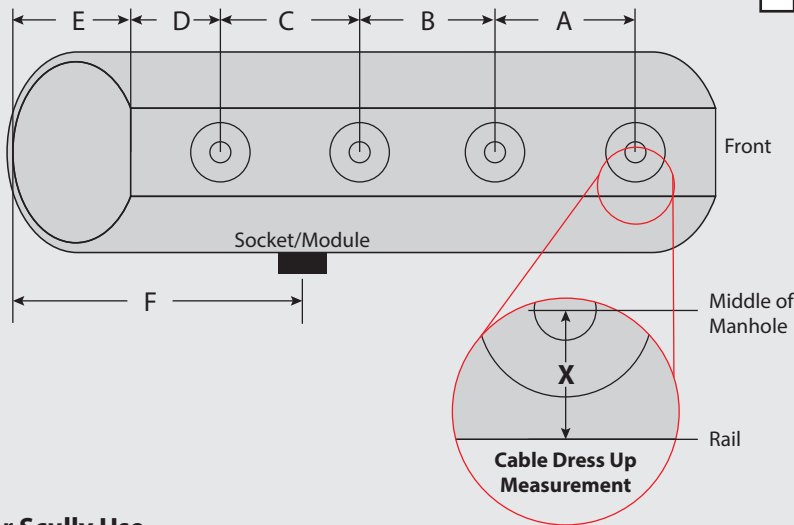
Customer Measurements		
	Inches	mm
A		
B		
C		
D		
E		
X		

For Scully Use

Measurement	Inches	Millimeters	Part Number (Black Cable)
A+2X (DBL)			
B+2X (DBL)			
C+D+E+X (SNG)			

4 Compartment Trailer

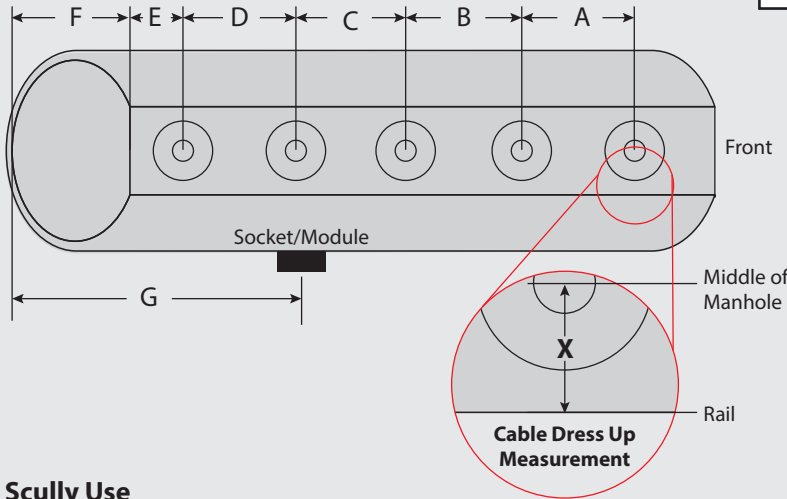
2 Wire 5 Wire Qty. _____



Customer Measurements		
	Inches	mm
A		
B		
C		
D		
E		
F		
X		

For Scully Use

Measurement	Inches	Millimeters	Part Number (Black Cable)
A+2X (DBL)			
B+2X (DBL)			
C+2X (DBL)			
D+E+F+X (SNG)			



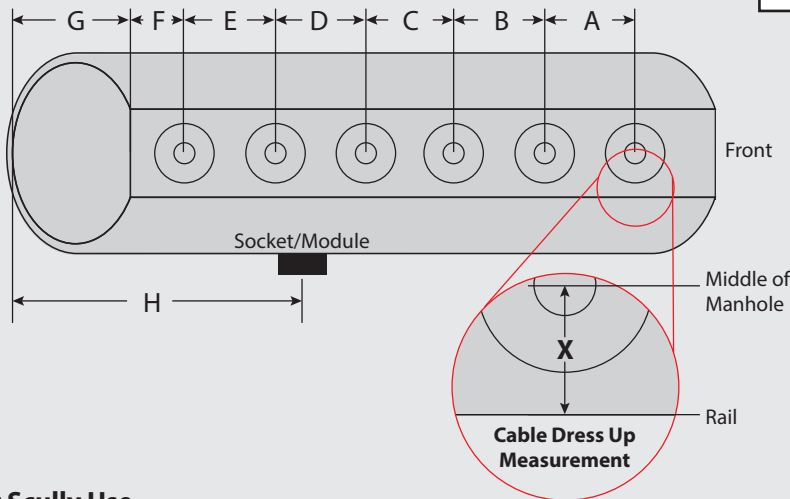
5 Compartment Trailer

2 Wire 5 Wire Qty. ____

Customer Measurements		
	Inches	mm
A		
B		
C		
D		
E		
F		
G		
X		

For Scully Use

Measurement	Inches	Millimeters	Part Number (Black Cable)
A+2X (DBL)			
B+2X (DBL)			
C+2X (DBL)			
D+2X (DBL)			
E+2X (DBL)			
E+F+G+X (SNG)			



6 Compartment Trailer

2 Wire 5 Wire Qty. ____

Customer Measurements		
	Inches	mm
A		
B		
C		
D		
E		
F		
G		
H		
X		


For Scully Use

Measurement	Inches	Millimeters	Part Number (Black Cable)
A+2X (DBL)			
B+2X (DBL)			
C+2X (DBL)			
D+2X (DBL)			
E+2X (DBL)			
F+G+H+X (SNG)			




SCULLY CONNECT™ CABLE SELECTOR CHART

End Type	Cable Length				Part Number (Black Cable)
	Inches	Feet	Millimeters	Meters	
Double (DBL)	24	2	609	.61	235000102
Double (DBL)	48	4	1219	1.22	235000104
Double (DBL)	72	6	1829	1.83	235000106
Double (DBL)	96	8	2438	2.44	235000108
Double (DBL)	120	10	3048	3.05	235000110
Double (DBL)	144	12	3658	3.66	235000112
Double (DBL)	168	14	4267	4.27	235000114
Double (DBL)	192	16	4877	4.88	235000116
Double (DBL)	216	18	5486	5.49	235000118
Double (DBL)	240	20	6096	6.10	235000120
Double (DBL)	360	30	9144	9.14	235000130
Single (SNG)	360	30	9144	9.14	235000230
Single (SNG)	480	40	12192	12.19	235000240
Single (SNG)	600	50	15240	15.24	235000250
Single (SNG)	720	60	18288	18.29	235000260



Double Ended Cable (DBL)



Single Ended Cable (SNG)



SCULLY CONNECT™ KITS WITH INTELLICHECK®3R

2-Wire, 7” Sensor with Intellicheck®3R Overfill 8

Standard Kits Include:

- Intellicheck®3R Overfill 8 Monitor
- Scully Connect™ 2-Wire 7” Overfill Sensor
- Scully Ground Bolt
- Scully T.I.M.® (optional)
- 50’ Single Ended Cable
- Termination Connector
- 2 Glands
- Quick Start Guide
- On/Off Switch



<i>Number of Sensors</i>	<i>Standard Kit Part Number</i>	<i>Qty.</i>	<i>Standard Kit with T.I.M.® Part Number</i>	<i>Qty.</i>
1	<input type="checkbox"/> 092000117	—	<input type="checkbox"/> 092000118	—
2	<input type="checkbox"/> 092000119	—	<input type="checkbox"/> 092000120	—
3	<input type="checkbox"/> 092000121	—	<input type="checkbox"/> 092000122	—
4	<input type="checkbox"/> 092000123	—	<input type="checkbox"/> 092000124	—
5	<input type="checkbox"/> 092000125	—	<input type="checkbox"/> 092000126	—
6	<input type="checkbox"/> 092000127	—	<input type="checkbox"/> 092000128	—

2-Wire, 12” Sensor with Intellicheck®3R Overfill 8

Standard Kits Include:

- Intellicheck®3R Overfill 8 Monitor
- Scully Connect™ 2-Wire 12” Overfill Sensor
- Scully Ground Bolt
- Scully T.I.M.® (optional)
- 50’ Single Ended Cable
- Termination Connector
- 2 Glands
- Quick Start Guide
- On/Off Switch



<i>Number of Sensors</i>	<i>Standard Kit Part Number</i>	<i>Qty.</i>	<i>Standard Kit with T.I.M.® Part Number</i>	<i>Qty.</i>
1	<input type="checkbox"/> 092000142	—	<input type="checkbox"/> 092000143	—
2	<input type="checkbox"/> 092000144	—	<input type="checkbox"/> 092000145	—
3	<input type="checkbox"/> 092000146	—	<input type="checkbox"/> 092000147	—
4	<input type="checkbox"/> 092000148	—	<input type="checkbox"/> 092000149	—
5	<input type="checkbox"/> 092000150	—	<input type="checkbox"/> 092000151	—
6	<input type="checkbox"/> 092000152	—	<input type="checkbox"/> 092000153	—



2-Wire, 7" Sensor with Intellicheck®3R Overfill/Retained

Standard Kits Include:

- Intellicheck®3R Overfill/Retained Monitor
- Scully Connect™ 2-Wire 7" Overfill Sensor
- Scully 2-Wire Retained Sensor
- Scully Ground Bolt

- Scully T.I.M.® (optional)
- 50' Single Ended Cable
- Termination Connector
- 100' 7 Conductor Cable

- Quick Start Guide
- On/Off Switch
- 16 Glands
- Pigtail Crimps



Number of Sensors	Standard Kit Part Number	Qty.	Standard Kit with T.I.M.® Part Number	Qty.
1	<input type="checkbox"/> 092000129	—	<input type="checkbox"/> 092000130	—
2	<input type="checkbox"/> 092000131	—	<input type="checkbox"/> 092000132	—
3	<input type="checkbox"/> 092000133	—	<input type="checkbox"/> 092000134	—
4	<input type="checkbox"/> 092000135	—	<input type="checkbox"/> 092000136	—
5	<input type="checkbox"/> 092000137	—	<input type="checkbox"/> 092000138	—
6	<input type="checkbox"/> 092000140	—	<input type="checkbox"/> 092000141	—

* Retained Sensors in the Overfill/Retained Kits use standard wiring methods. Retained Sensors are currently not available as Quick Connect.

2-Wire, 12" Sensor with Intellicheck®3R Overfill/Retained

Standard Kits Include:

- Intellicheck®3R Overfill/Retained Overfill Monitor
- Scully Connect™ 2-Wire 12" Overfill Sensor
- Scully 2-Wire Retained Sensor
- Scully Ground Bolt

- Scully T.I.M.® (optional)
- 50' Single Ended Cable
- Termination Connector
- 100' 7 Conductor Cable

- Quick Start Guide
- On/Off Switch
- 16 Glands
- Pigtail Crimps



Number of Sensors	Standard Kit Part Number	Qty.	Standard Kit with T.I.M.® Part Number	Qty.
1	<input type="checkbox"/> 092000154	—	<input type="checkbox"/> 092000155	—
2	<input type="checkbox"/> 092000156	—	<input type="checkbox"/> 092000157	—
3	<input type="checkbox"/> 092000158	—	<input type="checkbox"/> 092000159	—
4	<input type="checkbox"/> 092000160	—	<input type="checkbox"/> 092000161	—
5	<input type="checkbox"/> 092000162	—	<input type="checkbox"/> 092000163	—
6	<input type="checkbox"/> 092000164	—	<input type="checkbox"/> 092000165	—

* Retained Sensors in the Overfill/Retained Kits use standard wiring methods. Retained Sensors are currently not available as Quick Connect.



5-Wire, 7" Sensor with Intellicheck®3R Overfill 8

Standard Kits Include:

- Intellicheck®3R Overfill 8 Monitor
- Scully Connect™ 5-Wire 7" Overfill Sensor
- Scully Ground Bolt
- Scully T.I.M.® (optional)
- 50' Single Ended Cable
- Termination Connector
- 2 Glands
- Quick Start Guide
- On/Off Switch



<i>Number of Sensors</i>	<i>Standard Kit Part Number</i>	<i>Qty.</i>	<i>Standard Kit with T.I.M.® Part Number</i>	<i>Qty.</i>
1	<input type="checkbox"/> 092000166	—	<input type="checkbox"/> 092000167	—
2	<input type="checkbox"/> 092000168	—	<input type="checkbox"/> 092000169	—
3	<input type="checkbox"/> 092000170	—	<input type="checkbox"/> 092000171	—
4	<input type="checkbox"/> 092000172	—	<input type="checkbox"/> 092000173	—
5	<input type="checkbox"/> 092000174	—	<input type="checkbox"/> 092000175	—
6	<input type="checkbox"/> 092000176	—	<input type="checkbox"/> 092000177	—

5-Wire, 12" Sensor with Intellicheck®3R Overfill 8

Standard Kits Include:

- Intellicheck®3R Overfill 8 Monitor
- Scully Connect™ 5-Wire 12" Overfill Sensor
- Scully Ground Bolt
- Scully T.I.M.® (optional)
- 50' Single Ended Cable
- Termination Connector
- 2 Glands
- Quick Start Guide
- On/Off Switch



<i>Number of Sensors</i>	<i>Standard Kit Part Number</i>	<i>Qty.</i>	<i>Standard Kit with T.I.M.® Part Number</i>	<i>Qty.</i>
1	<input type="checkbox"/> 092000178	—	<input type="checkbox"/> 092000179	—
2	<input type="checkbox"/> 092000180	—	<input type="checkbox"/> 092000181	—
3	<input type="checkbox"/> 092000182	—	<input type="checkbox"/> 092000183	—
4	<input type="checkbox"/> 092000184	—	<input type="checkbox"/> 092000185	—
5	<input type="checkbox"/> 092000186	—	<input type="checkbox"/> 092000187	—
6	<input type="checkbox"/> 092000188	—	<input type="checkbox"/> 092000189	—



SCULLY CONNECT™ SENSOR KITS

Kits Include:

- Scully Connect™ Overfill Sensor
- 50' Single Ended Cable
- Termination Connector
- 2 Glands
- Quick Start Guide
- On/Off Switch



2-Wire, 7" Sensor

Number of Sensors	Part Number	Qty.
1	<input type="checkbox"/> 092000190	___
2	<input type="checkbox"/> 092000191	___
3	<input type="checkbox"/> 092000192	___
4	<input type="checkbox"/> 092000193	___
5	<input type="checkbox"/> 092000194	___
6	<input type="checkbox"/> 092000195	___



2-Wire, 12" Sensor

Number of Sensors	Part Number	Qty.
1	<input type="checkbox"/> 092000196	___
2	<input type="checkbox"/> 092000197	___
3	<input type="checkbox"/> 092000198	___
4	<input type="checkbox"/> 092000199	___
5	<input type="checkbox"/> 092000200	___
6	<input type="checkbox"/> 092000201	___



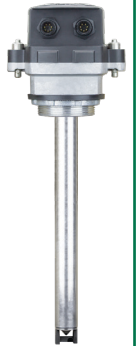
5-Wire, 7" Sensor

Number of Sensors	Part Number	Qty.
1	<input type="checkbox"/> 092000202	___
2	<input type="checkbox"/> 092000203	___
3	<input type="checkbox"/> 092000204	___
4	<input type="checkbox"/> 092000205	___
5	<input type="checkbox"/> 092000206	___
6	<input type="checkbox"/> 092000207	___



5-Wire, 12" Sensor

Number of Sensors	Part Number	Qty.
1	<input type="checkbox"/> 092000208	___
2	<input type="checkbox"/> 092000209	___
3	<input type="checkbox"/> 092000210	___
4	<input type="checkbox"/> 092000211	___
5	<input type="checkbox"/> 092000212	___
6	<input type="checkbox"/> 092000213	___



INSTALLATION KITS

Scully Connect™ Installation Kit for Intellicheck®3R Overfill 8

Part Number	Qty.
<input type="checkbox"/> 092000013	___

Kits Include:

- 50' Single Ended Cable
- Termination Connector
- 2 Glands
- Quick Start Guide
- On/Off Switch



Scully Connect™ Installation Kit for Intellicheck®3R Overfill/Retained

Part Number	Qty.
<input type="checkbox"/> 092000014	___

* 5-Wire Overfill Sensors are not compatible with the Intellicheck®3R Overfill/Retained Monitor

Kits Include:

- 50' Single Ended Cable
- Termination Connector
- 16 Glands
- Quick Start Guide
- On/Off Switch
- 100' 7 Conductor Cable
- Pigtail Crimps



SCULLY SOCKET SELECTION



DuoCept W/B, WOGA
Optic and Scully
Thermistor Interface
Connectors

Part Number Qty.

09060



SJ-6S Thermistor Socket,
API Thermistor Standard

Part Number Qty.

07720



SJ-6W Optic Socket,
WOGA Pattern,
API Optic Standard

Part Number Qty.

07974



SJ-6 Thermistor Socket,
SAE J560 Pattern

Part Number Qty.

07681



SJ-6SO Optic Socket,
Scully Pattern

Part Number Qty.

07973



SJ-6W Optic Socket,
WOGA (API) Style with
Switch and Air Valve

Part Number Qty.

08822



SJ-6X Optic Socket,
SAE J560 Pattern

Part Number Qty.

08199



SJ-6S 2-Wire
Thermistor Socket,
8-Pin, w/ Switch
& Air Valve

Part Number Qty.

08823



SJ-8S Thermistor Socket,
API Thermistor Standard

Part Number Qty.

07716



SJ-6W Optic Socket,
6-Pin 5-Wire, w/ Switch
and Air Valve, M20

Part Number Qty.

08816



Scully Signal Company, an engineering and manufacturing company established in 1936, is a brand name in the transportation and storage of petroleum and liquid chemicals. Our core Systems include: Overfill Prevention, Retained Product Monitoring, Vehicle Grounding and Verification, Level Alert Notification, and Vehicle to Terminal Communications.

Our employees service the needs of Scully's global customers in a wide range of markets. In addition to its headquarters in Wilmington, Massachusetts, U.S.A., Scully has direct sales offices in the United Kingdom, Europe and throughout the world. Scully is represented in over 60 countries and is ISO 9001 Certified. For more information, call Scully Signal Company at 800.2.SCULLY (800.272.8559), or visit www.scully.com.

Copyright © 2017 Scully Signal Company. Scully Connect, DuoCept, Dynacheck, Dynamic Self-Checking, Dynamic Self-Testing, Scully Connect, Go Anywhere, Intellicheck, Intellitrol, Load Anywhere, MaxSafety, ScuL-Sense, Scully and T.I.M. are registered trademarks of Scully Signal Company.

The names and logos of other companies mentioned herein may be trademarks of their respective owners.

This document is for informational purposes only. Scully makes no warranties, expressed or implied, in this document.

All Rights Reserved. Specifications are subject to change without notice.

Scully Signal Company
70 Industrial Way, Wilmington, MA 01887-3479, USA • 800.2.SCULLY (272.8559)
617.692.8600 • fax. 617.692.8620 • sales@scully.com • www.scully.com

