

## Description

Solenoid valves of series Z1314 are rugged and specially designed for heavy duty applications such as Above Ground Storage Tanks.

## Verification

Before installing the valve read the nameplate to ensure that it is the correct model and verify that the pressure parameters, voltage, frequency and power are correct for which it will be used.

## Mechanical installation

**IMPORTANT:** In every installation it is recommended that a filter strainer be fitted immediately upstream of the valve of a mesh not greater than 100 microns, even in the case where a master filter is fitted into the system.

## Position in the pipeline

This valve must be installed with the coil in the upright position on a horizontal line to assure proper function.

## Mounting into the pipeline

Check that the valve is mounted with the arrow in the normal flow direction. Particularly in new installations, care should be taken that the pipeline is purged clean so that no solids remain which can cause malfunction of the valve. I.E. Welding remnants, dirt, packaging material, etc. Purging should be done before and after the filter up to the solenoid valve using compressed air or another suitable system.

## Electrical installation

The wiring, electrical fitting and pipes must comply with local and National Electrical

Codes for installations in Hazardous Locations.

Before connection the wiring, verify that the voltage and frequency supply are the same as indicated on the nameplate.

The electrical connection to the housing is ½" npt and can be rotate 360 to facilitate interconnections with the circuit by loosening the top nut on the enclosure. When the position of the connection is set, tighten the top nut with a torque of 10.8 foot pounds (1.5Kgm).

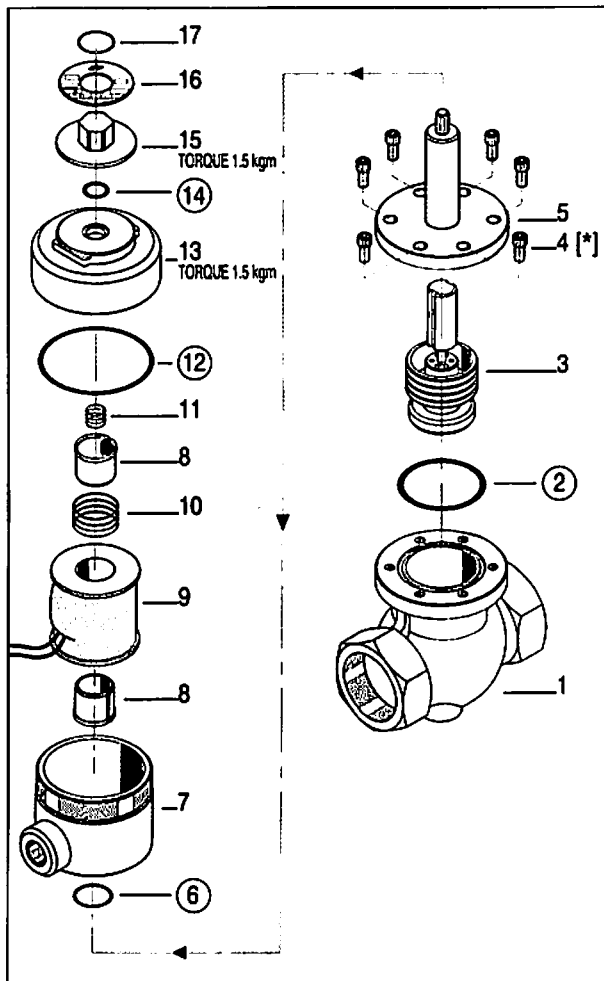
**CAUTION:** The integrity of the Hazardous Location enclosure is dependent on compliance to these torque level instructions.

## Maintenance

**ATTENTION:** Before proceeding with any maintenance or repair, first insure that the energy supply is disconnected and that there is no pressure in the pipeline.

## Preventive maintenance

1. Assure that the fluid being handled is clean and free of contamination.
2. During service the valve should be operated at least once a month to insure correct operation.
3. All solenoid valves should be cleaned periodically.  
The time between cleanings depends upon the media being handled and the service conditions. Always clean the filter element at the same time.
4. When the valve is being cleaned, the internal components should be inspected. Aggressive media or impurities may damage the piston of the seating material. In this event, it may be necessary to replace the damage components.



### To replace coils

1. Disconnect the electrical supply.
2. Unscrew the top nut of the housing.
3. Remove O-ring.
4. Unscrew the top half of the coil enclosure.
5. Remove the coil and replace with new.
6. Screw the top half of the coil enclosure onto the lower housing and tighten by applying a torque of 10.8 foot pounds (1.5Kgm).
7. Replace O-ring.
8. Screw the top nut onto the housing bonnet applying a torque of 10.8 foot pounds (1.5Kgm).
9. CAUTION: The integrity of the Hazardous Location enclosure is dependent on compliance to torque level instructions and O-ring replacement.
10. Reconnect energy supply to the coil.

POS	DENOMINATION	POS	DENOMINATION
1	BODY	10	COIL SPRING
2	O-RING	11	SPRING
3	HUNG PISTON ASSEMBLY	12	O-RING
4	ALLEN SCREW [*]	13	HOUSING BONNET
5	BONNET ASSEMBLY	14	O-RING
6	O-RING	15	TOP NUT
7	HOUSING	16	NAME PLATE
8	SEPARATING BUSH	17	RETAINING RING
9	COIL		

○ IT BELONGS TO THE REPAIR KIT

[*] BONNET ASSEMBLY FIXING			
CATALOG	PIPE SIZE (ins.)	ALLEN SCREW (ins.)	TORQUE (kgm)
Z1314BLV...AT	3/4"-1-1/2"-2"	W. 1/4" x 5/8"	0.85 - 1.1
Z1314BLV24AT	3"	W. 3/8" x 1"	3 - 3.7



**JEFFERSON SOLENOID VALVES U.S.A. INC.**  
 20225 NE 15HT CT Miami, FL 33179 - USA. Tel.305-249-8120 / Fax: 305-249-8121  
 Toll Free: 1-888-42-VALVE (82583) / Info@jeffersonvalves.com www.jeffersonvalves.com

**JEFFERSON SUDAMERICANA S.A. - Headquarters and Main Factory**  
 Avda. F. Fernández de la Cruz 2016 C1437GYZ - Buenos Aires - Argentina.  
 Tel.: (5411) 4909-5301 / 5302 / Fax: (5411) 4918-0005 / jsexport@jefferson.com.ar www.jefferson.com.ar