



DISPENSERS



FUEL KITS



PUMPS



METERS



NOZZLE



FILTRATION

# EX100



## FEATURES

- **UL-CERTIFIED**
- **CONTINUOUS DUTY**
- **THERMAL PROTECTION**
- **SUCTION UNIT WITH INTEGRATED FILTER**
- **HIGH FLOW RATE**

The EX100 is a UL-Classified fuel transfer pump capable of a 25 GPM flow rate at-the-nozzle. With its fan equipped motor the EX100 can operate continuously without shutting off.

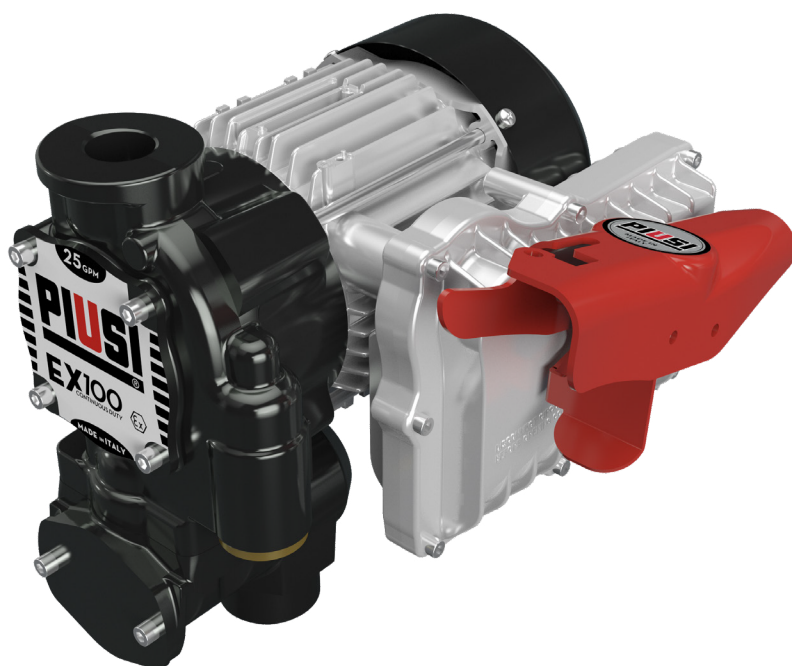
## PERFORMANCE

UP TO  
**25 GPM**

FLOW RATE

**AC**  
VOLTAGE

POWER



EX100



## PACKAGING

PART #	WEIGHT		PACKAGING		
	KG	LBS	MM	INCH	PCS/BOX
FO0391000	25	55	240X400X390	10X16X15	1



FLUID MONITORING



AIR



ANTIFREEZE



DEF



BIODIESEL



DIESEL



FOOD



GASOLINE



GREASE



KEROSENE



OIL

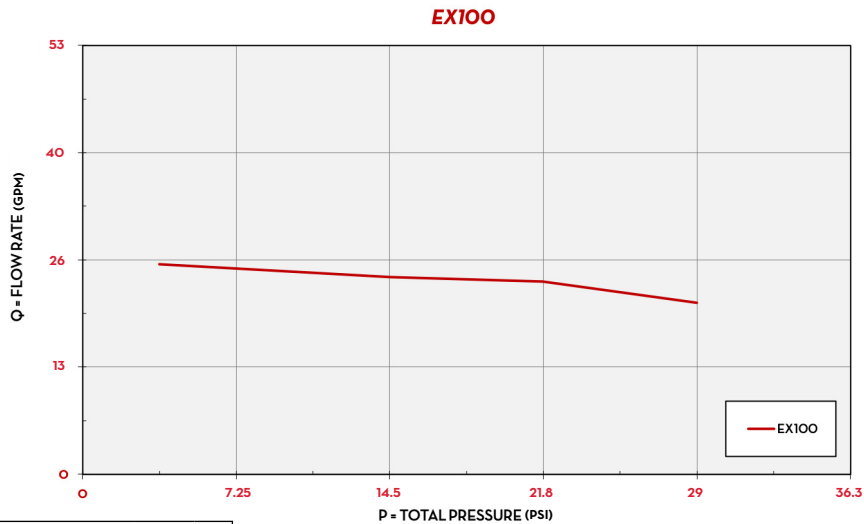


WATER



WINDSCREEN

## CHART



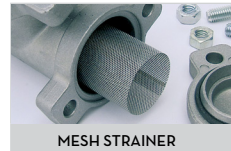
TYPE OF FLUID DIESEL

TEMPERATURE 68 °F

## IN THE BOX

- EX80 / EX100 / EX140 PUMPS
- NOZZLE HOLDER
- 1" 1/4 CONNECTOR
- 90° ELBOW
- INSTRUCTION MANUAL

## DETAILS



MESH STRAINER

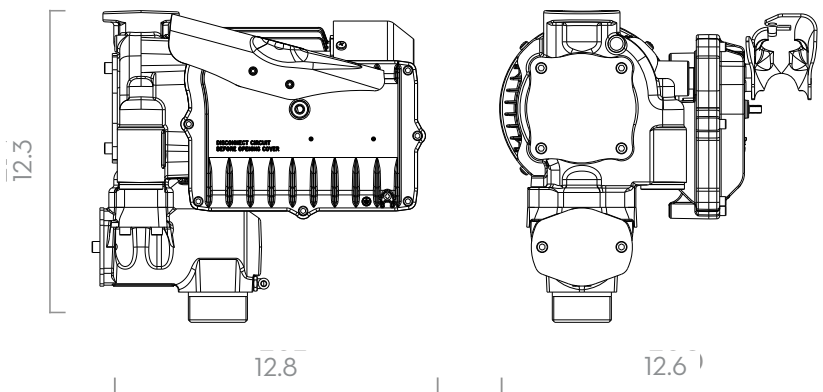


1" 1/4 CONNECTOR



90° ELBOW

## DIMENSIONS



Dimensions expressed in inches

## MATERIALS

- BODY: CAST IRON
- ROTOR: SINTERED STEEL
- VANES: TECHNOPYLIMER
- SEAL: VITON
- SHAFT: STEEL

A 1" LINE MUST BE USED FOR THE EX100. THIS INCLUDES ALL ACCESSORIES SUCH AS HOSE, FITTINGS, METERS, NOZZLES, ETC.

## TECHNICAL DATA

PART #	DESCRIPTION	FLUIDS TYPE	FLOW RATE		VOLTAGE			DUTY CYCLE	RPM	INLET		OUTLET	
			L/MIN	GPM	AC V./HZ	DC VOLT	POWER WATT	AMP. MAX.		MINUTES	NPT	NPT	
FO0391000	EX100 25GPM 120V (PUMP ONLY) CONTINUOUS	<b>D</b> <b>K</b>	100	25	120/60		900	7.5	CONTINUOUS	1450	1" 1/4	1"	1"

(\*) UPON REQUEST IT IS AVAILABLE WITH DIFFERENT VOLTAGES AND 60 HZ FREQUENCY. IT IS RECOMMENDED THAT A 1" LINE BE USED FOR HIGH FLOW PUMPS. THIS INCLUDES ALL ACCESSORIES SUCH AS HOSE, FITTINGS, METERS, NOZZLES, ETC.

# EX100