

3-Valve In-Line Block & Bleed Manifold

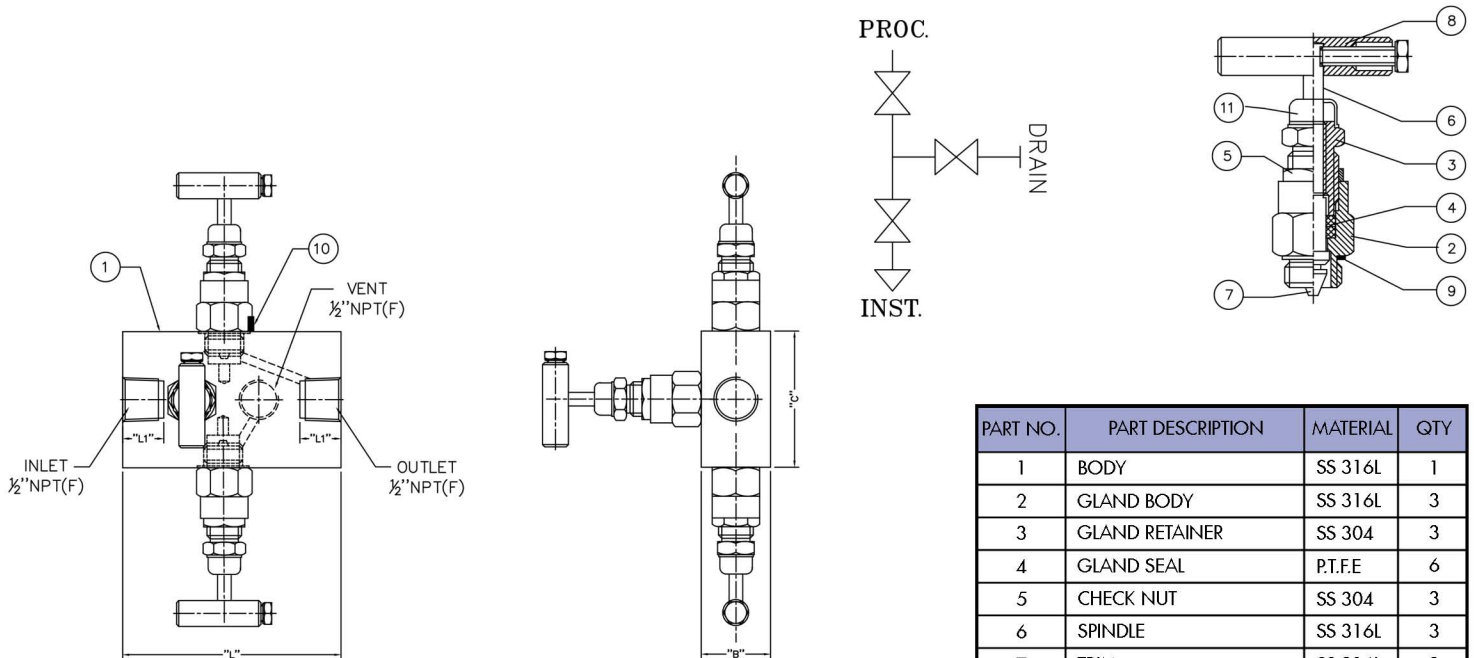
Remote Mount with Vent

Mac-Weld's 3 - Valve In-Line Block and Bleed manifold is a variation of a typical 2 valve block and bleed manifold for gauge and static instrument applications. An additional block valve is provided as well as a single 1/2" vent/drain port located on the underside of the manifold.

- 316L Stainless Steel Body, stem and trim
- 6000 psig @ 100° F (414 bar @ 38° C)
- PTFE Packing
- Non-rotating trim provides bubble tight shut-off
- Optional availability: NACE certified wetted parts and graphoil packing



| PART NUMBER | | | | |
|--|-----------------|-----------------|--------------------------|----------|
| M-3BB-L-RM-08F-08F-V08F | | | | |
| MANIFOLD TYPE AND DESCRIPTION | END CONNECTION | | DRAIN / VENT c/w PLUG | MATERIAL |
| | PROCESS | INSTRUMENT | | |
| Stainless Steel 3 Valve Block and Bleed In-Line Manifold, Remote mount, T-Bar handle, c/w Vent/Drain | 1/2" Female NPT | 1/2" Female NPT | 1/2" Female NPT | 316L |



| PART NO. | PART DESCRIPTION | MATERIAL | QTY |
|----------|------------------|----------|-----|
| 1 | BODY | SS 316L | 1 |
| 2 | GLAND BODY | SS 316L | 3 |
| 3 | GLAND RETAINER | SS 304 | 3 |
| 4 | GLAND SEAL | P.T.F.E | 6 |
| 5 | CHECK NUT | SS 304 | 3 |
| 6 | SPINDLE | SS 316L | 3 |
| 7 | TRIM | SS 316L | 3 |
| 8 | HANDLE | SS 304 | 3 |
| 9 | WASHER | S.S. | 3 |
| 10 | LOCK PIN | SS 304 | 3 |
| 11 | DUST CAP | P.V.C. | 3 |

3 - Valve Manifold

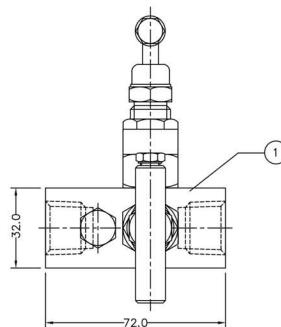
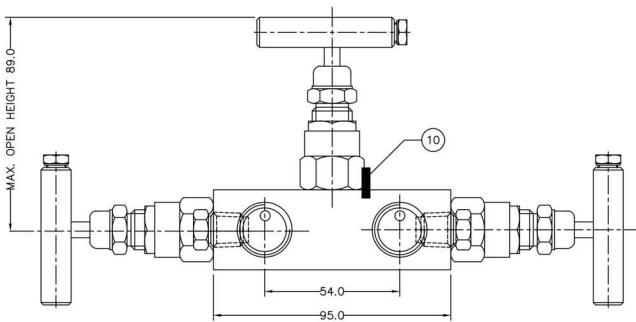
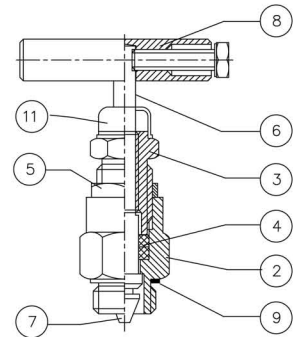
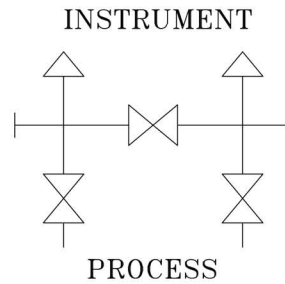
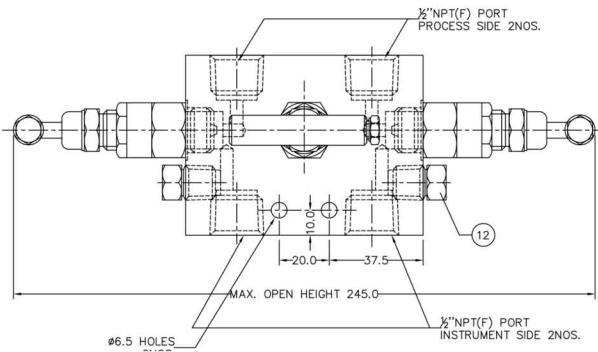
Remote Mount with Drain

Mac-Weld's 3-Valve Remote Mount Manifold with drain/vent for differential pressure instrumentation. The manifold has one equalizer valve, two isolation valves and two drain/vent ports.

- 316L Stainless Steel Body, stem and trim
- 6000 psig @ 100° F (414 bar @ 38° C)
- PTFE Packing
- Non-rotating trim provides bubble tight shut-off
- Optional availability: NACE certified wetted parts and graphoil packing



| PART NUMBER | | | | |
|--|----------------|---------------|--------------------------|----------|
| M-3C-L-RM-08F-08F-P | | | | |
| MANIFOLD TYPE AND DESCRIPTION | END CONNECTION | | DRAIN / VENT c/w PLUG | MATERIAL |
| | PROCESS | INSTRUMENT | | |
| Stainless Steel 3 Valve Manifold, Remote mount, T-Bar handle, c/w Drain/Vent | ½" Female NPT | ½" Female NPT | ¼" Female NPT | 316L |



| PART NO. | PART DESCRIPTION | MATERIAL | QTY |
|----------|-----------------------|----------|-----|
| 1 | BODY | SS 316L | 1 |
| 2 | GLAND BODY | SS 316L | 3 |
| 3 | GLAND RETAINER | SS 304 | 3 |
| 4 | GLAND SEAL | P.T.F.E | 6 |
| 5 | CHECK NUT | SS 304 | 3 |
| 6 | SPINDLE | SS 316L | 3 |
| 7 | TRIM | SS 316L | 3 |
| 8 | HANDLE | SS 304 | 3 |
| 9 | WASHER | S.S. | 3 |
| 10 | LOCK PIN | SS 304 | 3 |
| 11 | DUST CAP | P.V.C. | 3 |
| 12 | DRAIN PLUG ¼" NPT (F) | SS 316L | 2 |

3 - Valve 'T' Type Manifold

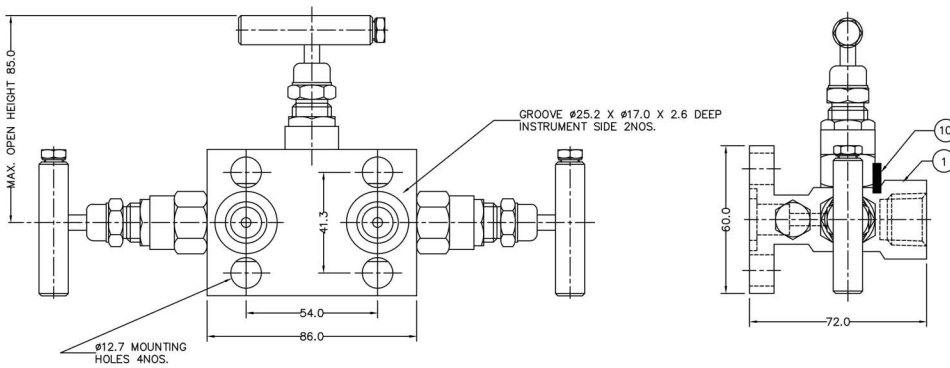
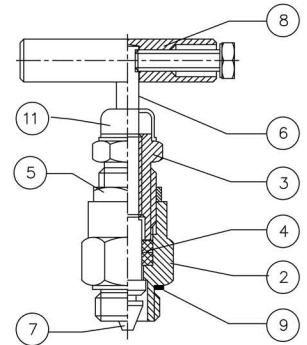
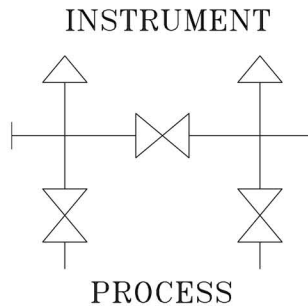
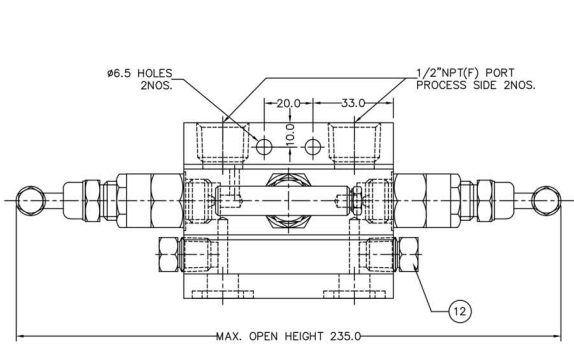
Direct Mount with Drain

Mac-Weld's 3 - Valve Direct Mount 'T' Type Manifold with drain/vent for differential pressure instrumentation. The manifold has one equalizer valve, two isolation valves and two drain/vent ports

- 316L Stainless Steel Body, stem and trim
- 6000 psig @ 100° F (414 bar @ 38° C)
- PTFE Packing
- Non-rotating trim provides bubble tight shut-off
- Optional availability: NACE certified wetted parts and graphoil packing
- Flange O-rings and mounting bolts included with manifold



| PART NUMBER | | | | |
|--|-----------------|------------|--------------------------|----------|
| M-3T-L-DM-08F-FLG-P | | | | |
| MANIFOLD TYPE AND DESCRIPTION | END CONNECTION | | DRAIN / VENT c/w PLUG | MATERIAL |
| | PROCESS | INSTRUMENT | | |
| Stainless Steel 3 Valve Manifold, 'T' Type, Direct mount, T-Bar handle, c/w Drain/Vent | 1/2" Female NPT | Flange | 1/4" Female NPT | 316L |



| PART NO. | PART DESCRIPTION | MATERIAL | QTY |
|----------|-------------------------|----------|-----|
| 1 | BODY | SS 316L | 1 |
| 2 | GLAND BODY | SS 316L | 3 |
| 3 | GLAND RETAINER | SS 304 | 3 |
| 4 | GLAND SEAL | P.T.F.E | 6 |
| 5 | CHECK NUT | SS 304 | 3 |
| 6 | SPINDLE | SS 316L | 3 |
| 7 | TRIM | SS 316L | 3 |
| 8 | HANDLE | SS 304 | 3 |
| 9 | WASHER | S.S. | 3 |
| 10 | LOCK PIN | SS 304 | 3 |
| 11 | DUST CAP | P.V.C. | 3 |
| 12 | DRAIN PLUG 1/4" NPT (F) | SS 316L | 2 |