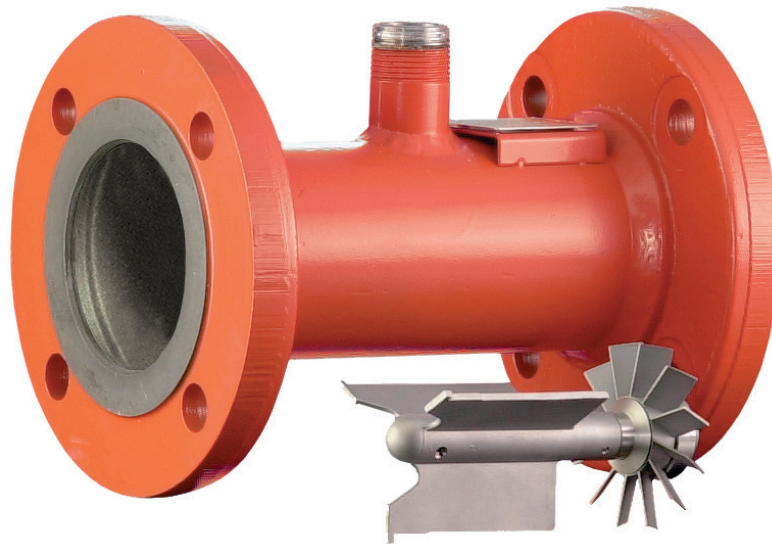


Smith Meter® Turbine Meters

# Guardsman G™ and Guardsman L™ Series

Installation / Operation / Service Manual

Bulletin MN02002 Issue/Rev 0.8 (2/19)



**Installation and Service for:**

- Guardsman (G) Series
- Guardsman L Ball Bearing (LB) Series
- Guardsman L Journal Bearing (LJ and LSJ) Series

**Note:** Meters shipped after September 1991 have the Catalog Code (formerly termed “Model Code”) on the nameplate. Consult the respective specification bulletin or the factory for code descriptions.

**Contents**

---

|  |         |
|--|---------|
| <b>Section 1 – General</b> .....               | Page 2  |
| Introduction .....                             | Page 2  |
| Receipt of Equipment .....                     | Page 2  |
| Pre-Installation Inspection .....              | Page 2  |
| <b>Section 2 – Installation</b> .....          | Page 3  |
| Mechanical .....                               | Page 3  |
| Electrical .....                               | Page 4  |
| <b>Section 3 – Repair Guide</b> .....          | Page 6  |
| <b>Section 4 – Operation</b> .....             | Page 10 |
| <b>Section 5 – Troubleshooting Guide</b> ..... | Page 11 |
| <b>Section 6 – Related Publications</b> .....  | Page 12 |

### Introduction

---

The Smith Meter® Guardsman™ and Guardsman L™ Series Turbine Meters are volumetric flow measuring transducers with a frequency output that is directly proportional to flow rate.

The turbine meter consists of a rotor which senses the linear velocity of a flow stream. The moving liquid imparts a rotation velocity to the rotor which is detected electrically by a variable reluctance-type pickup coil. As the equally-spaced, ferromagnetic rotor blades pass through the magnetic field created by the pickup coil, a sinusoidal voltage is generated. The peak-to-peak voltage of this signal is directly proportional to the rotor speed and each positive peak-to-peak voltage pulse represents an increment of volume throughput.

The output per unit volume is termed K-Factor (pulses/unit volume). For a specific meter, the K-Factor, as determined through a factory performance test, is listed on a “Turbine Meter Test Data Card” which is supplied with the meter. For maximum accuracy, the actual K-Factor must be established for a given product from on-site proving at the actual operating conditions.

### Receipt of Equipment

---

When the equipment is received, the outside packing case should be checked immediately for any shipping damage. If the packing case has been damaged, the local carrier should be notified at once regarding his liability. Carefully remove the unit from its packing case and inspect for damaged or missing parts.

If damage has occurred during shipment or parts are missing, a written report should be submitted to the Customer Service Department, TechnipFMC Measurement Solutions, Inc., Erie, Pennsylvania 16514-0428.

Prior to installation, the unit should be stored in its original packing case and protected from adverse weather conditions and abuse.

### Pre-Installation Inspection

---

Visually inspect the meter and meter nameplate to ensure the proper size, model number, flange rating, and flow range. Note the direction of flow (described by an arrow) in which the unit was calibrated and should be installed.

The Smith Meter® Guardsman™ and Guardsman L™ Series Turbine Meters are precise measuring instruments and should be treated as such. Install carefully.

## Section 2 – Installation

### Mechanical Installation

**Warning:** Care must be taken in the installation of turbine meters. The installer must comply with all national, regional, and local codes.

It is recommended that turbine meters be installed in the section of piping where the pressure is highest, downstream from pumps and upstream from valves (see figure 3). When it is expected that flow will be intermittent, the turbine meter should not be mounted at or near a low point in the piping. Solids or water which settle in a low point can freeze or damage the metering element.

The piping arrangements herein described are intended to be general recommendations and, therefore, may require modification to fit your specific applications.

#### Back-Pressure

A positive back-pressure is required to prevent cavitation and inaccurate output. Recommended back-pressure =  $2 \times \text{pressure drop} + 1.25 \times \text{absolute vapor pressure}$ . (Reference Section 5 – Appendix, Pressure Drop Chart.)

Example: 3" turbine meter, flow rate 600 gpm, vapor pressure 10 psia.

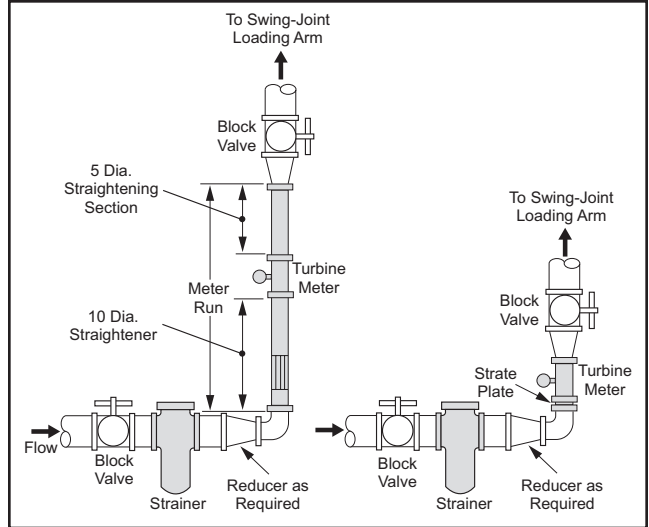
Back-pressure =  $2 \times 3 + 1.25 \times 10 = 18.5$  psig.

#### Strainer

A strainer should be installed to protect the flow meter and extend service life. For most installations, a 20- or 40-mesh screen is suitable.

### WARNING! Thermal Pressure

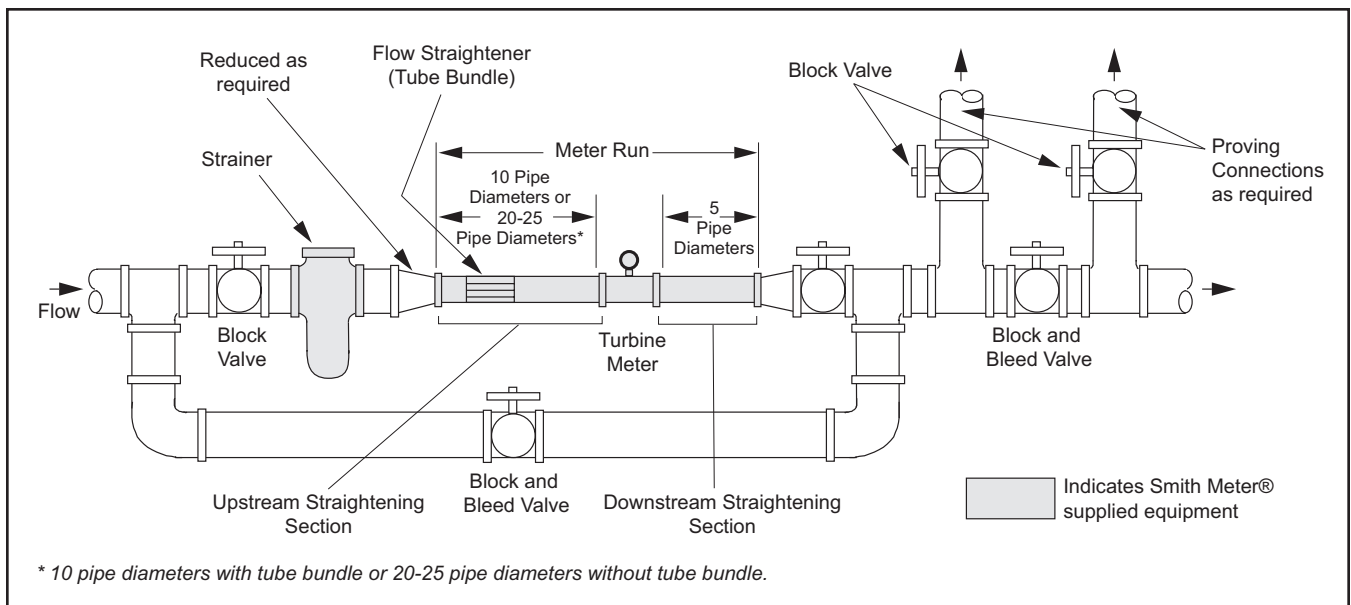
Thermal expansion of liquid in this equipment can cause high pressure damage. A Thermal Pressure Relief Valve may be necessary in the system.



**Figure 2 – Typical Guardsman L Series Turbine Meter Installation (Vertical or Horizontal, Conventional and Strate Plate Flow Conditioners)**

#### Flow Conditioning

The standard rule of 20 to 25 pipe diameters upstream of the meter (where a flow straightener is not used) and 5 pipe diameters downstream of the meter may be adequate for some installations. However, variables of viscosity, pipe size, and upstream configuration (fittings) should be considered. Therefore, reference should be made to the API Manual of Petroleum Measurement Standards, Chapter 5, Section 3 – Turbine Meters.



\* 10 pipe diameters with tube bundle or 20-25 pipe diameters without tube bundle.

**Figure 1 – Typical Guardsman Series Turbine Meter Installation (Horizontal Only)**

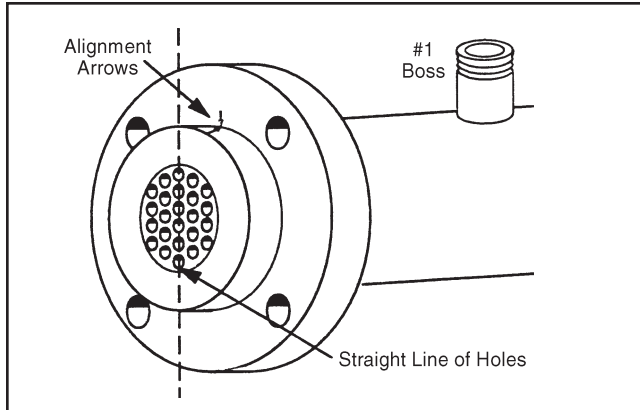
## Section 2 – Installation (continued)

### Strate Plate

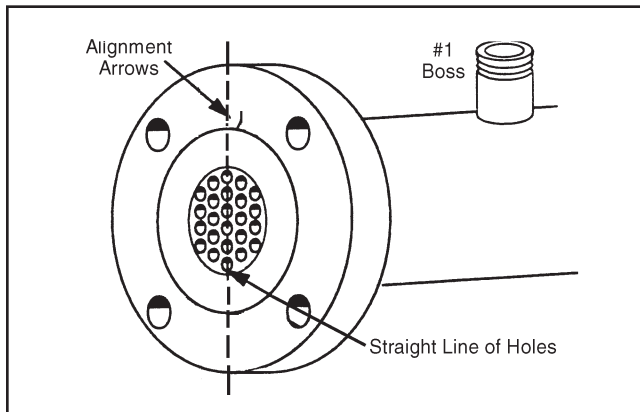
When a Strate Plate is supplied with a meter, it is matched marked at the factory. When installing the Strate Plate, the arrows on the housing and the Strate Plate should be aligned.

For cases where the Strate Plate is not matched marked (field retrofits), the Strate Plate should be installed so that holes forming a straight line are aligned with the number 1 boss.

**Note:** The strate plate has a cutout on the bottom of the plate to align with the number 1 pick-up boss.



**Figure 3 – Strate Plate for the Guardsman LJ (Vertical and Horizontal) Turbine Meter**



**Figure 3A – Strate Plate for the Guardsman LSJ (Vertical and Horizontal) Turbine Meter**

**Note:** For meters manufactured prior to October, 2002 the strate plate has two (2) mounting screws on the outer diameter of the plate. For meters manufactured after October, 2002 the strate plate has one (1) mounting screw located in the middle of the strate plate.

### Meter Bypass

Where possible, such as in a new system, it is advisable to include a valved bypass around the metering section. This allows inspection of the meter without stopping the system flow. The bypass connections, however, should not be placed within the “meter run” (see Figure 1).

### Electrical Installation

Turbine meters are supplied with a signal pickup coil mounted in an explosion-proof housing attached to the meter. Where the transmission distance from the meter to an electronic readout is less than 2,000 feet (609.6m), no special amplification is required if Smith electronic readout is less than 2,000 feet (609.6m), no special amplification is required if Smith electronic instruments having “Common Mode Rejection” are employed. The signal input, direct from the pickup coil, enters the readout device through a common mode noise rejection circuit. The circuit is sensitive to low-level meter signals, but highly insensitive to unwanted noise interference.

In cases where the signal transmission distance is greater than 2,000 feet (609.6m) and Smith Meter instruments are being used, or if the receiving instruments accept only pulse inputs, then a preamplifier (Model PA-6) is recommended.

The PA-6 Preamplifier is designed to fit in the standard explosion-proof coil housing as shown in Figures 4 through 7. When using the Turbine Meter Preamplifier, Model PA-6, refer to the Preamplifier Specification Bulletin.

### Recommended Signal Transmission Cable

| Distance                      | Wire Size | Type Cable (or Equal)  |
|-------------------------------|-----------|--|
| Up to 2,000 ft (610 metres)   | #20 AWG   | 2 Conductor - Belden 8762<br>3 Conductor - Belden 8772<br>4 Conductor - Alpha 2414 |
| Up to 3,000 ft (915 metres)   | #18 AWG   | 2 Conductor - Belden 8760<br>3 Conductor - Belden 8770<br>4 Conductor - Alpha 2424 |
| Up to 5,000 ft (1,525 metres) | #16 AWG   | 2 Conductor - Belden 8719<br>3 Conductor - Belden 8618<br>4 Conductor - Alpha 3248 |

**Note:** For distances greater than 5,000 ft, a trial run should be made employing the best available engineering techniques.

**Important:** All cable shields must be terminated **only** at the instruments.

### Electrical Installations (General)

The maximum ambient temperature for the GP Junction box w/PA-x amplifier and or UPCC/ID-2000 instrument is 70°C; if the process temperature of the Turbine meter is expected to exceed this value then the enclosure(s) shall be remotely mounted to guarantee the 70°C ambient is not exceeded.

**Note:** Electrical installations should only be performed by qualified technicians / electricians that are trained in the techniques that apply to hazardous locations electrical equipment.

**Caution:** To prevent ignition of hazardous atmospheres, disconnect from supply circuit before opening, keep enclosure tightly closed when circuits are in operation.

## Section 2 – Installation (continued)

**Warning:** Enclosure may contain batteries and or capacitors, to prevent ignition of hazardous atmospheres, do not open unless area is known to be non-hazardous.

### Electrical Installations Utilizing ATEX and IECEx Certifications

All electrical installations shall be in accordance with EN/IEC 60079-14 “Explosive atmospheres – Part 14: Electrical installations design, selection and erection.”

Cable entry must be in accordance to EN/IEC 60079-1 section 13. For systems utilizing cable glands the gland and or thread adaptor must be Ex db certified. The cable end must be securely installed and depending on the cable type be properly protected from mechanical damage.

Conduit Entry must be in accordance to EN/IEC 60079-1 section 13. For systems utilizing conduit, an Ex db certified sealing device must be used immediately at the entrance of the enclosure.

Any unused entry must be suitably blocked with an Ex db certified plug.

The maximum ambient temperature for the GP Junction box w/PA-x amplifier and or other certified instruments is 70°C; if the process temperature of the Turbine meter exceeds this value, then the enclosure(s) shall be remotely mounted to guarantee the 70°C ambient is not exceeded.

If the temperature at entry fittings exceeds 70°C, the connecting cables used must be of the temperature-resistant type.

The field connecting wire/cable must be installed into an enclosure which complies with the requirements of an accepted type protection according to IEC/EN 60079-0, section 1, if the connection takes place in an area with potentially explosive atmosphere.

The device must be included into the local equipotential bonding.

Repairs on flameproof joints may only be performed in accordance with the manufactures design specifications. Repair on the basis of the values in table 1 and 2 of EN/IEC 60079-1 is not accepted.

### Installations Following North American Electrical Codes

All electrical installations shall be in accordance with appropriate electrical codes or with the rules provided by the regulatory authority having jurisdiction.

USA – NEC code, NFPA 70 Articles 500 – 515 as appropriate  
Canada – CEC Code, CSA 22.1 as appropriate

### Electrical Connections

Due to the variety of electronic totalizers used with turbine meters, only general information is provided in this manual. The installation manual for a particular totalizer should be consulted.

Refer to Figures 4 through 7 for suggested wiring for pickup coil and preamplifier.

When installing conduit, a union should be installed for ease of meter removal for servicing.

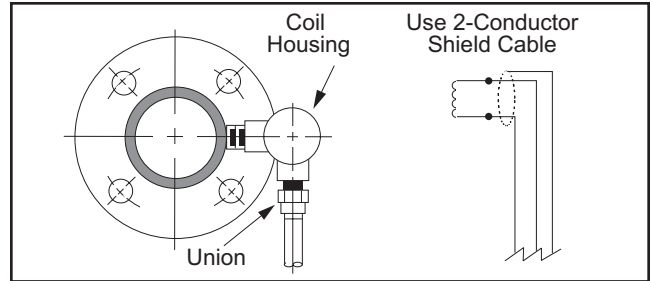


Figure 4 – 1 Coil - No Preamplifier

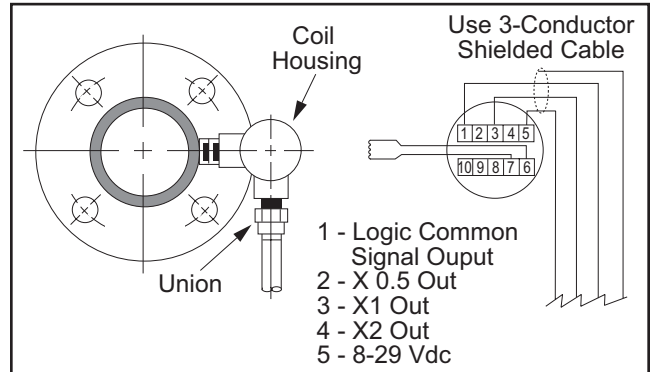


Figure 5 – 1 Coil and 1 PA-6 Preamplifier

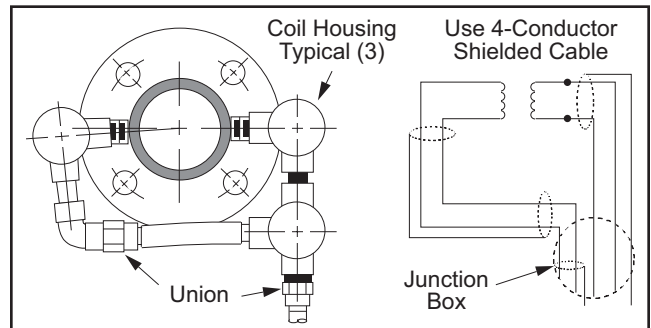


Figure 6 – 2 Coils - No Preamplifier

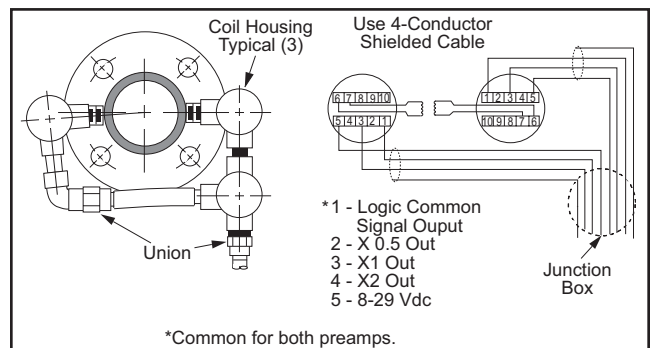


Figure 7 – 2 Coils and 2 PA-6 Preamplifiers

## Section 3 – Repair Guide

The Smith Meter® Turbine Meter is field-serviceable. However, being a precision instrument, this manual must be followed to ensure that proper repair procedures are used.

### Pickup Coil Removal

**Important:** Disconnect all electrical power.

Unscrew the cover from the conduit box and disconnect all cable leads. Easier access to the pickup coil occurs when the conduit box is completely removed. When using the turbine meter Preamplifier Model PA-6, refer to “Turbine Meter Preamplifier Installation Guide.”

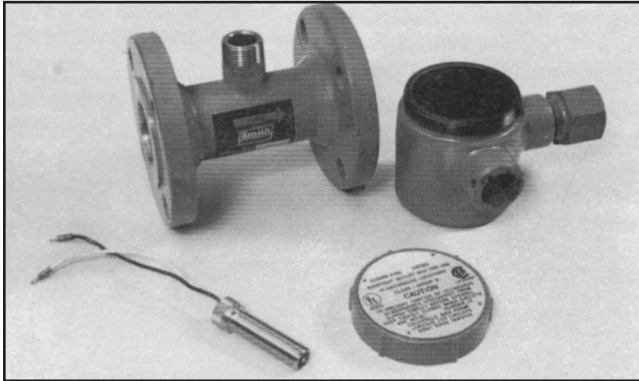


Figure 8 – Pickup Coil Removal

Unscrew the pickup coil and lift it out (see Figure 8).

Use an ohmmeter to check the resistance of the coil (1,200  $\Omega$ ). Also check the resistance between one lead of the coil and the metal coil housing. This resistance should be greater than 20 k $\Omega$ . If not, replace the pickup coil.

### Pickup Coil

Inductance: 400 mH, maximum at 1 kHz.

DC Coil Resistance: 1,200  $\Omega$ .

Temperature Range: -40°F TO 225°F (-73°C to 107°C).

Should it be suspected that the preamplifier is not functioning properly, remove it from the conduit box. Its output should be checked in accordance with the output signal shown under specifications in the “Turbine Meter Preamplifier Installation Guide.”

### Internal Parts Removal and Disassembly Procedure

Use a screwdriver to pry the end of the stator retainer ring up and out (see Figure 9). Once the end of the retainer ring is clear of its slot, pull it until the entire ring is clear of the turbine meter housing.

Some Guardsman and Guardsman L Series Meters have a slotted stator fin with an Allen head set screw. The set screw must be loosened before the internal parts assembly can be removed. Remove the internal parts assembly.

Remove the internal parts assembly.

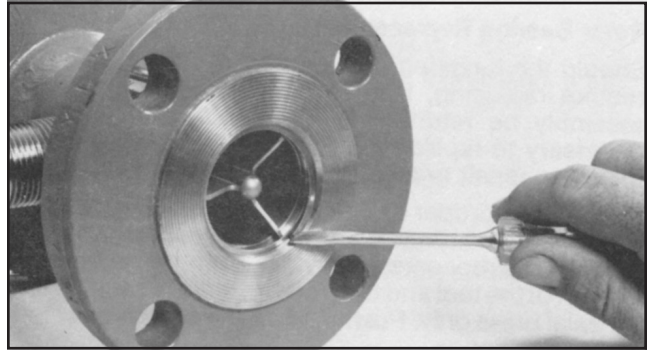
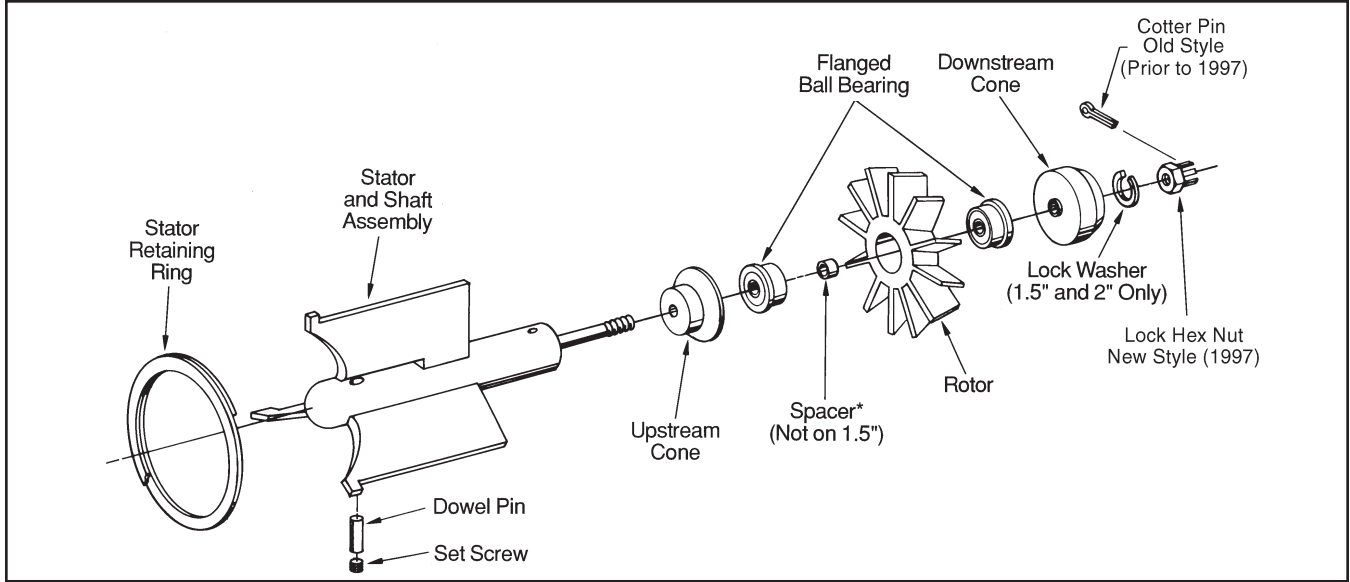
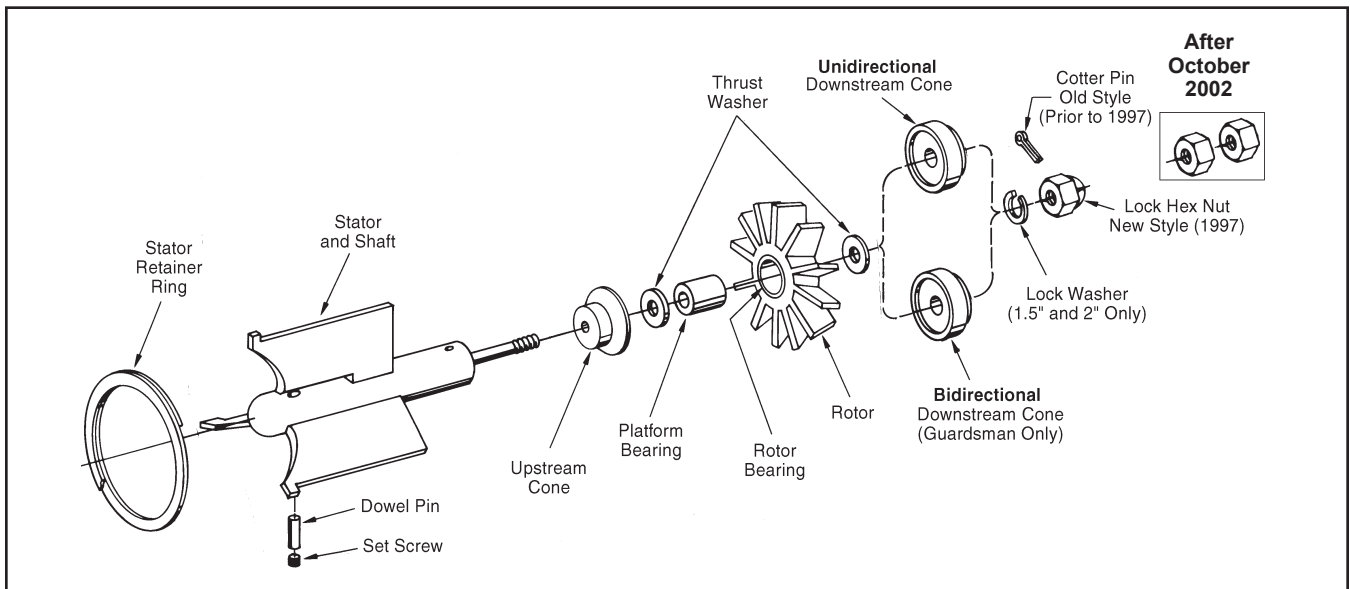


Figure 9 – Retainer Ring Removal

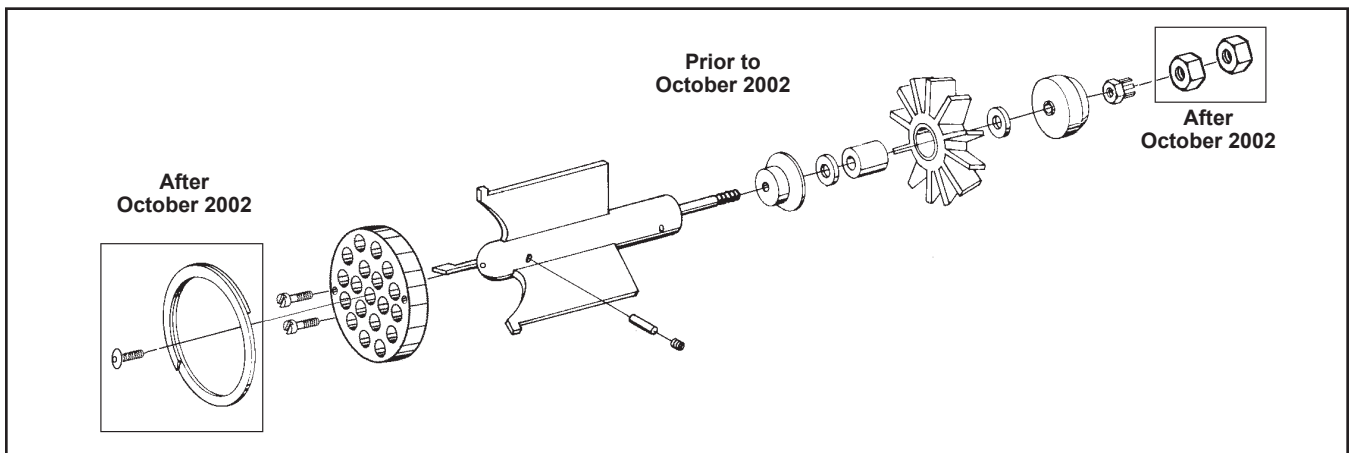
## Section 3 – Repair Guide (continued)



**Figure 10 – Guardsman L & LB (1-1/2" and 2") Turbine Meter Internals**



**Figure 11 – Guardsman and Guardsman J Series (2", 3" and 4") Turbine Meter Internals**



**Figure 11A – Guardsman LSJ Series Horizontal and Vertical (3" and 4") Turbine Meter Internals**

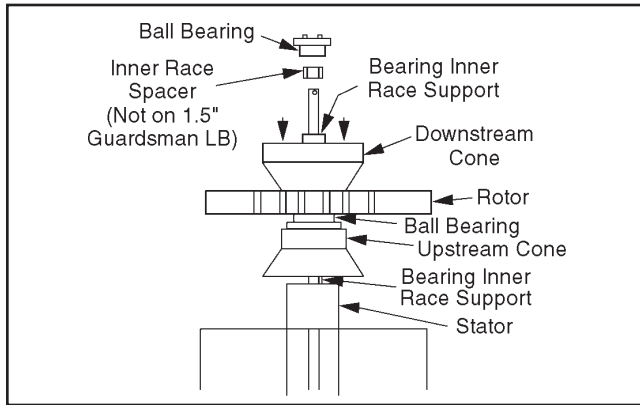
## Section 3 – Repair Guide (continued)

Remove the cotter pin and castle nut (old style) or the lock hex nut (new style) from the downstream end of the shaft. The remaining components (see Figures 10 and 11) will be free to slide off the shaft.

### Ball Bearing Replacement – Guardsman LB Series Only

For Guardsman LB Series Turbine Meters, flanged ball bearings are used. To replace the ball bearings as they become worn, the following procedure should be followed:

Slide the downstream cone onto the shaft with the bearing inner race support first (see Figure 12). Next slide the ball bearing, flanged-side first, onto the shaft. Center



**Figure 12**

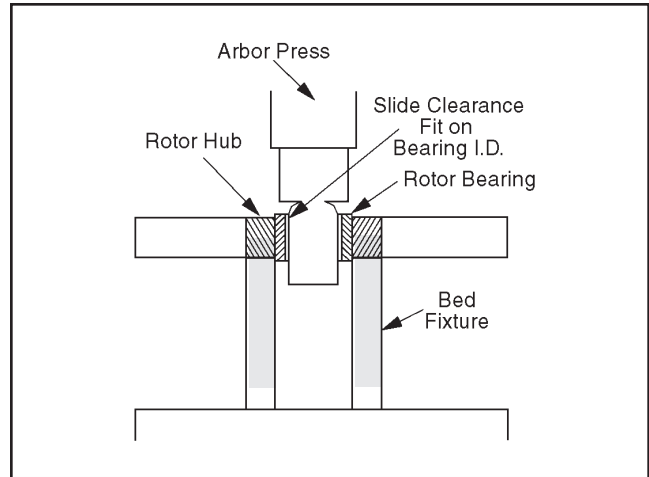
the upstream-side of the rotor (marked “IN”) on the bearing. Use the downstream cone to guide the rotor onto the bearing as shown (push evenly across the cone). Remove the downstream cone from the shaft and place the inner race spacer on the shaft followed by the ball bearing with the flanged-side last. As was done for the upstream bearing, use the downstream cone to guide the bearing into the rotor hub. Carefully remove the rotor and bearings from the shaft and place the upstream cone in the proper orientation. Next install the rotor onto the shaft with the “IN” side first. Install the downstream cone and the lock hex nut or castle nut (old style). Torque the nut to the value given in Table 1. If meter is old style (prior to 1997), install the cotter pin to ensure the nut does not loosen (1.5” and 2” Guardsman L Meters do not have cotter keys).

### Rotor Bearing Replacement – Guardsman and Guardsman LJ Series Only

Should the tungsten carbide bearing in the rotor ever require replacing, it is recommended that the rotor assembly be returned to the factory. If it becomes necessary to replace the rotor bearing in the field, the following repair procedure should be followed:

A. With the proper tool and fixture (see Figure 13), the old rotor bearing may be forced out of the rotor hub with an arbor press. Care must be taken in the

selection of the tool and fixture to ensure a “straight line” or axial press only. Push the bearing out with a smooth, steady motion.



**Figure 13 – Tungsten Carbide Rotor Bearing Removal**

B. The new bearing may be installed with the same equipment used to remove the old bearing. Press the chamfered end of the bearing into the hub first. Center the hub bore before pressing. The bearing material has been selected for its hardness and wear characteristics, but may be chipped or broken if mistreated. Press the bearing into the rotor hub to achieve equal protrusion from both faces.

Clean bearing surfaces and lubricate with light machine oil. Guide the rotor onto the platform bearing and check for freedom of rotation.

### Internal Parts Reassembly Procedure – Guardsman and Guardsman L Series

Reassembly is accomplished by reversing the order of the disassembly steps. The retaining nut should be properly tightened and where used (3” and 4”), secured with the cotter pin (old style). See Table 1 for proper torque values.

**Table 1 – Retaining Nut Torque Values**

| Meter Size | Meter Series | Thread Size | Torque Required (Lubricated) |
|------------|--------------|-------------|------------------------------|
| 1.5"       | Guardsman    | 2-56 UNC-2  | 29-33 in-oz                  |
| 1.5"       | Guardsman L  | 2-56 UNC-2  | 29-33 in-oz                  |
| 2"         | Guardsman    | 6-32 UNC-2  | 7-9 in-lb                    |
| 2"         | Guardsman L  | 6-32 UNC-2  | 70-79 in-oz                  |
| 3", 4"     | Guardsman    | 10-32 UNF-2 | 24-28 in-lb                  |
| 3", 4"     | Guardsman L  | 10-32 UNF-2 | 24-28 in-lb                  |

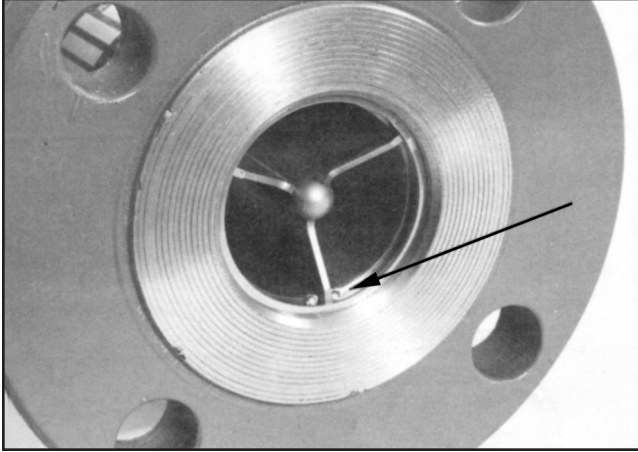
These torque values will be approximated by tightening the nut an additional 1/4 turn (60 to 70 degrees) after all the parts have been put together “snug” tight.

To be sure that the stator shaft nut is locked securely in place on 0.75” and 1” models, apply Loctite “Thread Locker” 242 adhesive/sealant. Application must be



## Section 3 – Repair Guide (continued)

made to clean parts: Loctite primer is optional. Use extra care to prevent Loctite from entering moving parts, such as journal and rotor bearings. Allow the parts to set undisturbed for twenty minutes to allow full curing of the Loctite.



**Figure 14 – Stator Rotational Stops**

After reassembly, the meter internal parts assembly can be inserted in the upstream-side of the turbine meter housing. Make certain that the slotted stator fin is inserted between the two rotational stops (see Figure 14). This will prevent any rotational movement of the stator during product flow.

For meters with slotted stator fins, after inserting the internal parts assembly, the set screw is adjusted so that there is no free play.

If the meter is equipped with a stator plate reinsert the stator plate with screw(s). Loctite "Thread Locker" 242 should be used to prevent loosening.

Reinsert the stator retainer ring into the slot provided at the upstream-end of the meter housing. Make certain the retainer ring is seated correctly. Any protruding edge may alter the product flow profile, which can affect meter performance.

### Typical Hook-Up

The signal leads are connected to the meter coil at one end and the appropriate readout device at the other, Figure 15. **The shielding is connected to the instrument ground only**, not at the meter and not to any earth ground. Because neither signal lead is grounded there is no polarity and, hence, either signal lead may be connected to either coil terminal.

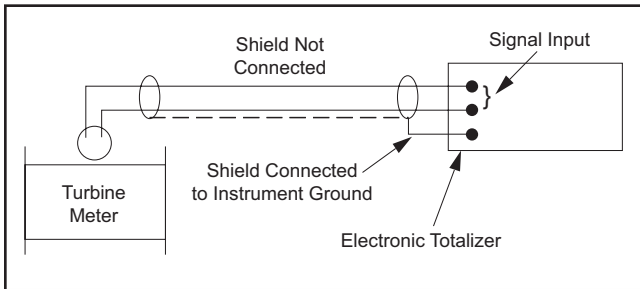


Figure 15

### Proving

Once the meter has been installed into the line, it should be proved. This is normally accomplished using a displacement type prover of certified volume. Recommended procedures are covered in the API Manual of Petroleum Measurement Standards, Chapters 4 and 12. It is very important that the proving be done under conditions (flow rate, pressure, temperature, and liquid characteristics) that are as close to those of normal operation as possible.

Verify that there are no leaks (internal or external) and that all liquid going into the prover has passed through the meter.

If, during the proving, suitable repeatability of runs is not obtained and the prover is functioning properly, verify that the pickup coil is tightly in place and that there is no electrical “noise” on the pulse circuit. If proper repeatability continues, check for adequate back pressure as described in Section 2.

It may be necessary to remove the meter and inspect it for damage to the rotor, thrust bearings, or platform bearing.

### Maintenance

Maintenance is normally required when proving shows a dramatic shift in the K-Factor or suitable repeatability cannot be obtained.

In some cases, the internals may have to be cleaned of buildup or deposits. Always check that the ports on the stator fins are free and clean of any debris. When draining the turbine meter installation for inspection, the line should be opened downstream of the meter so that fine debris that may be attached to the leading edges of the blades remains affixed. Draining from upstream creates a backflow that may remove this debris.

#### Notes:

1. When a meter is removed from the line, particularly if it has been disassembled and reassembled, it should be recalibrated for optimum accuracy.
2. These products have been designed for petroleum applications, where corrosion/erosion is normally minimum. The design has adequate material allowance for typical petroleum applications. Consult the factory for other applications or for the actual material allowances.

## Section 5 – Troubleshooting Guide

For maximum accuracy, the meter must be recalibrated after each repair.

| Problem                                 | Probable Cause  | Corrective Action   |
|---|---|---|
| Overdelivery<br>(or under registration) | Dirty or fouled bearings.                               | Clean.  |
|   | Corrosion, erosion.                                     | Minor: Reprove meter. Extreme: Replace damaged parts.   |
|   | Bent blades.  | Replace rotor.  |
|   | Missing rotor blade.                                    | Replace rotor.  |
| Underdelivery<br>(or over registration) | Deposits (wax, for example).                            | Clean.  |
|   | Clogging of tube bundles.                               | Remove and clean.   |
|   | Bent blades   | Replace rotor.  |
|   | Cavitation.   | Higher back-pressure.   |
|   | Entrained air or gas.                                   | Eliminate source or add air eliminator.   |
|   | Noise or transmission line.                             | Add or check shielded cable.<br>Eliminate source.<br>Check that shield is grounded at instrument end only.<br>Decrease sensitivity on instrument front end.<br>Add suppression circuit to preamplifier.             |
| Non-Repeatability                       | Dirty bearings.   | Clean.  |
|   | Missing blade.  | Replace rotor.  |
|   | Electrical noise interference.                          | See "Underdelivery."  |
| Meter Factor Shift                      | Refer to Probable Cause of Overdelivery, Underdelivery. | Refer to action to be taken for overdelivery and underdelivery.   |
| Output Without Flow                     | Noise.  | See "Underdelivery."  |
|   | Line vibration transmission through pickup coil.        | Eliminate source of vibration.<br>With pickup coil only, desensitize coil by inserting a non-ferrous spacer(s) (0.030" increments) in pickup coil boss. With preamp, refer to preamplifier bulletin to desensitize. |

## Section 6 – Related Publications

The following literature can be obtained from FMC Technologies Measurement Solutions, Inc. Literature Fulfillment at [measurement.fulfillment@technipfmc.com](mailto:measurement.fulfillment@technipfmc.com) or online at [http://info.smithmeter.com/literature/online\\_index.html](http://info.smithmeter.com/literature/online_index.html).

When requesting literature from Literature Fulfillment, please reference the appropriate bulletin number and title.

### **Turbine Meters**

#### **Specifications**

|  |                         |
|--|-------------------------|
| 1-1/2" to 4" Guardsman (G) Series..... | <a href="#">SS02002</a> |
| 1" to 4" Guardsman L (GL) Series.....  | <a href="#">SS02003</a> |

#### **Parts Lists**

|  |                         |
|--|-------------------------|
| 1" Guardsman (G) Series.....   | <a href="#">PO02001</a> |
| 2" Guardsman (G) Series.....   | <a href="#">PO02002</a> |
| 3" Guardsman (G) Series.....   | <a href="#">PO02003</a> |
| 3" Low Flow Guardsman (G) Series.....  | <a href="#">PO02004</a> |
| 4" Guardsman (G) Series.....   | <a href="#">PO02005</a> |
| 1" Guardsman (GL) Series Model K2C1.....   | <a href="#">PO02029</a> |
| 1-1/2" Guardsman L (GL) Series.....  | <a href="#">PO02006</a> |
| 3" Guardsman (LB) Series.....  | <a href="#">PO02007</a> |
| 3" Guardsman LJ-H Series, Model K2ED; LJ-V Series, Model K2PD.....                 | <a href="#">PO02008</a> |
| 4" Guardsman (LB) Series.....  | <a href="#">PO02009</a> |
| 4" Guardsman LJ-H Series, Model K2EE; LJ-V Series, Model K2PE.....                 | <a href="#">PO02010</a> |
| 3" Guardsman LSJ-H Series, Models K2FD, K2GD; LSJ-V Series, Models K2RD, K2SD..... | <a href="#">PO02011</a> |
| 4" Guardsman LSJ-H Series, Models K2FE, K2GE; LSJ-V Series, Models K2RE, K2SE..... | <a href="#">PO02012</a> |

## Technical Support

Contact Information:

### **Field Service Response Center**

24/7 Technical Support/Schedule

a Technician: 1-844-798-3819

System Installation Supervision,

Start-Up, Training, and

Commissioning Services Available

Revisions included in MN02002 Issue/Rev. 0.8 (2/19):

Page 5: Updated Electrical Installations utilizing ATEX and IECEx certifications.

The specifications contained herein are subject to change without notice and any user of said specifications should verify from the manufacturer that the specifications are currently in effect. Otherwise, the manufacturer assumes no responsibility for the use of specifications which may have been changed and are no longer in effect.