

IntelliCheck®2

Featuring Dynacheck® – Automatic and Continuous Self-Checking Circuitry

DESCRIPTION

IntelliCheck®2 is our latest design for vehicle overfill prevention. It continues to feature the ultimate in safety, dependability and reliability.

Features DynaCheck® -Scully's automatic and continuous self-checking design that monitors not only the IntelliCheck®2 system, but each integral part of the system for proper operation.

FEATURES AND BENEFITS

Overfill Prevention:

- High level detection in each vehicle compartment using either Scully SP-TO or SP-FU sensors.
- System shutdown within one-half second of high level detection.

Dynacheck® Safety:

- Complete automatic and continuous checking of all system components for static operation.
- Upon detection of a static condition, the IntelliCheck®2 system shuts down its outputs and ceases loading operation.

Complete System Diagnostics:

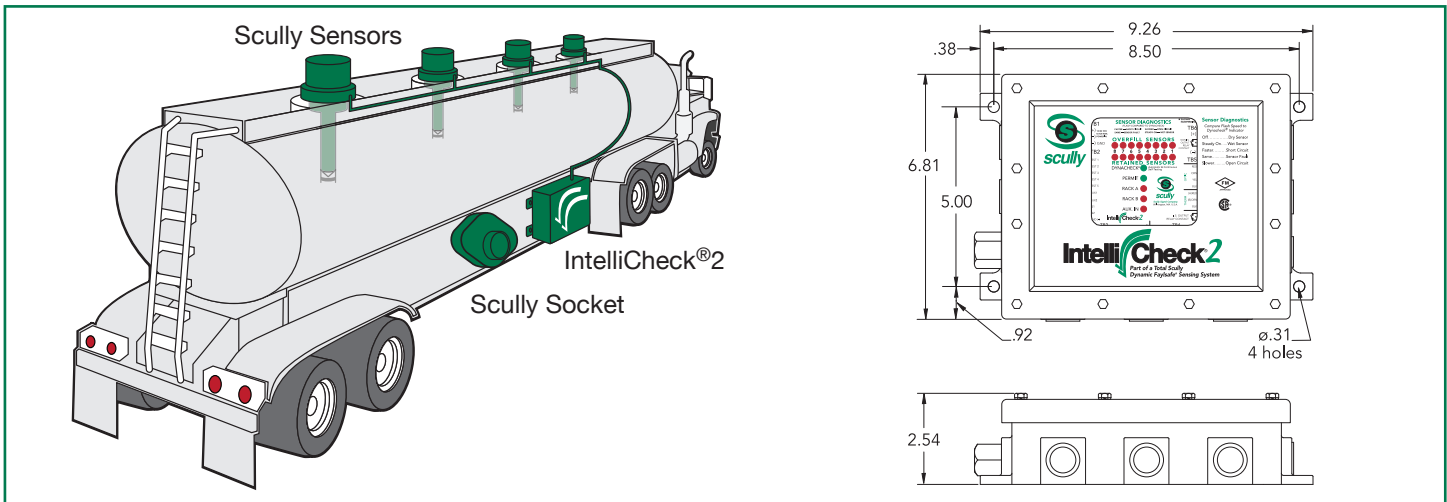
- Visual indication of IntelliCheck®2 Dynacheck® operation.
- Indicator for Auxiliary switch operation such as vapor interlock.
- Red sensor indicators for static conditions such as "wet" sensor or operational faults.
- Loading rack connection indicators.

Retained Product Monitoring:

- Retained product detection using two-wire optic sensors.
- Loading "Lock-out" feature if vehicle returns with product.
- Driver must acknowledge the presence of retained product for loading to take place.
- Helps prevent product mixing.
- Warns against overfilling of vehicle compartments.

Advanced Optic Sensing:

- Scully optic sensors are used as the "eyes" of the IntelliCheck®2 to determine loading status.
- Each sensor is independently monitored and tested up to 30 times per second.
- Instant response to high level detection.



TECHNICAL SPECIFICATIONS

Temperature Range
Operating: -40° to +140° F (-40° to +60° C)
Storage: -50° to +185° F (-45° to +85° C)

Wiring Entry Holes: 1/2 NPT for FM models.

Input Voltage: 11.5 - 28

Sensor Inputs
Overfill: Scully two-wire optic sensors (SP-TO) or Scully five-wire optic sensors (SP-FU).
Retained: Scully two-wire optic sensors (SP-IR).

Response Time: Less than half a second maximum after detection of wet sensor or fault condition.

Weight: 6.5 lbs. (2.9 kg.)

ORDERING INFORMATION		REPLACEMENT PARTS	
Description	Part Number	Description	Part Number
IntelliCheck®2 Overfill Monitor	09109	Overfill Only Replacement Module	09111
IntelliCheck®2 Overfill and Retained Monitor	09107	Overfill and Retained Replacement Module	09110
		Gasket, Cover	31787
		Replacement Cover Assembly	09132
		Replacement Retain Acknowledge Switch	31820
		Fuse and Holder Assembly	31616
		1/2 amp fuse	26310

OVERFILL AND RETAINED - 2W KIT				OVERFILL ONLY - 2W KIT			
Number of Compartments	Cable Type/ Cable Length	7" Standard Sensor Part Number	12" Extended Sensor Part Number	Number of Compartments	Cable Type/ Cable Length	7" Standard Sensor Part Number	12" Extended Sensor Part Number
1	7 Conductor/200 ft.	08361 L1	08971 L1	1	7 Conductor/100 ft.	08251 L1	08961 L1
2	7 Conductor/200 ft.	08362 L1	08972 L1	2	7 Conductor/100 ft.	08352 L1	08962 L1
3	7 Conductor/200 ft.	08363 L1	08973 L1	3	7 Conductor/100 ft.	08353 L1	08963 L1
4	7 Conductor/200 ft.	08364 L1	08974 L1	4	7 Conductor/100 ft.	08354 L1	08964 L1
5	7 Conductor/200 ft.	08365 L1	08975 L1	5	7 Conductor/100 ft.	08355 L1	08965 L1
6	7 Conductor/200 ft.	08366 L1	08976 L1	6	7 Conductor/100 ft.	08356 L1	08966 L1
7	11 Conductor/200 ft.	08382 L1	08977 L1	7	11 Conductor/100 ft.	08380 L1	08967 L1
8	11 Conductor/200 ft.	08383 L1	08978 L1	8	11 Conductor/100 ft.	08381 L1	08968 L1

Please call or email Scully Sales and Service for 5W Kits.

Copyright © 2014 Scully Signal Company. Dynacheck, Dynamic Self-Checking, Dynamic Self-Testing, Faylsafe, IntelliCheck, Intellitrol are registered trademarks of Scully Signal Company. All Rights Reserved. Specifications are subject to change without notice.



MaxSafety®
SYSTEMS

Scully Signal Company

70 Industrial Way,
Wilmington, MA 01887-3479, USA
Tel: 800 272 8559 / 617 692 8600
email: sales@scully.com

Scully Systems Europe NV

Eksterveldlaan 31a
2820 Bonheiden / Belgium
Tel: +32 (0) 15 56 00 70
email: info@scully.be

Scully UK Ltd

Meridian House, Unit 33,
37 Road One Winsford Industrial Estate,
Winsford Cheshire CW7 3QG / UK
Tel: +44 (0) 1606 553805
email: sales@scullyuk.com



67293 Rev B
May 2014