



Lidec L20-70 DRPP - Polyester housing
Application: cargo holds & dry compartments -
water ingress

The Lidec type L20-70 DRPP, is specially designed for water ingress detection and offers a dependable solution for detecting the presence of liquids within dry cargos. The Lidec L20-70 DRPP is based on the propagation of a surface wave. This design does not include any moving part.

The reliability of the device is ensured by a built-in function which monitors electronic or transducer failures.

The polyester housing is designed to be installed in areas protected against adverse weather conditions. The Lidec L20-70 DRPP does not require any calibration as it is not influenced by the surrounding cargo (e.g. coal, cement, or any powdery substance).

L20-70 DRPP - Technical Specifications

Technical Data

Accuracy:	+/- 2 mm
Operating temperature:	-25°C to + 60°C
Cargo temperature:	up to + 70°C max.
Intrinsically safe:	II 1 G D Ex ia IIC or IIB T6, T5, T4 Ex ia III C T80°C or T95°C or T120°C Da IP6X LCIE 02 ATEX 6181X and IECEx LC11.0001X
Power supply:	18 to 28 Vdc (24 Vdc nominal)
Protection class:	IP66 for connecting box IP68 for sensor up to 100m depth
Weight:	0.9 kg

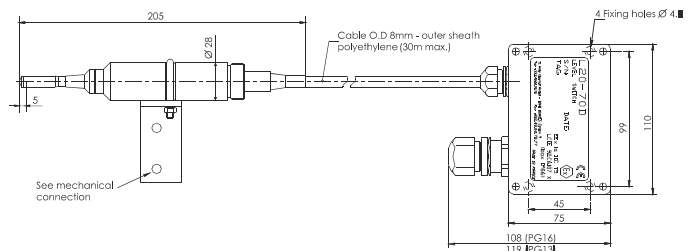
Special Features

- Materials:
 - Probe: Stainless steel 316L
 - Connecting box : Polyester
- Horizontal or vertical mounting
- The L20-70 DRPP operates even with cargos that may absorb water to form a paste
- Output signal:
 - Relay contacts (NO or NF)
 - contact rating 5A-250 Vac
- Cable length: up to 30m max.
- Fully static device
- Fail-safe operation
- Insensitive to vibrations, shocks, electrical disturbances and solid cargo product
- Approved by major classification societies

Technical Documentation

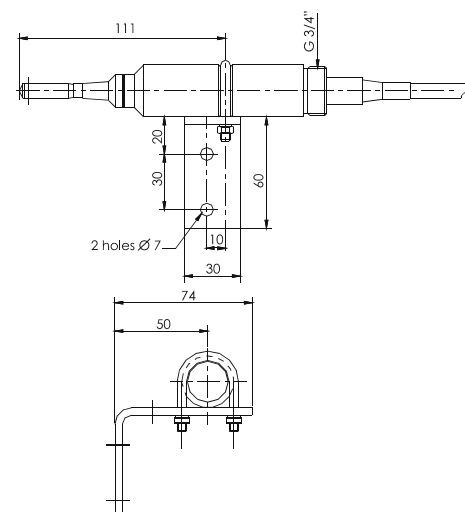
Technical manual:	NT406
Maintenance manual:	NT406

Dimensions & Fixation

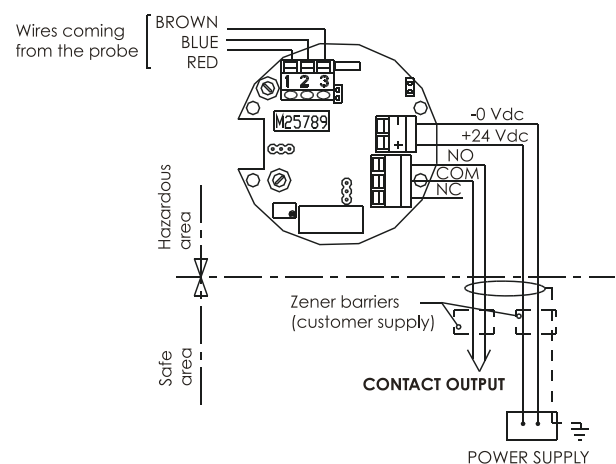


Note: Cable length needs to be specified
8 weeks before delivery

Mechanical Connection



Electrical Connection



Honeywell Marine SAS

9, rue Isaac Newton
ZA Port Sec Nord, Esprit 1
18000 Bourges – France
Phone : + 33 (0) 248 237 901
Fax : + 33 (0) 248 237 903
E-Mail: contact.marine@honeywell.com
www.honeywellmarine.com

HM-11-48-ENG
October 2013
© 2013 Honeywell International Inc.

Honeywell